

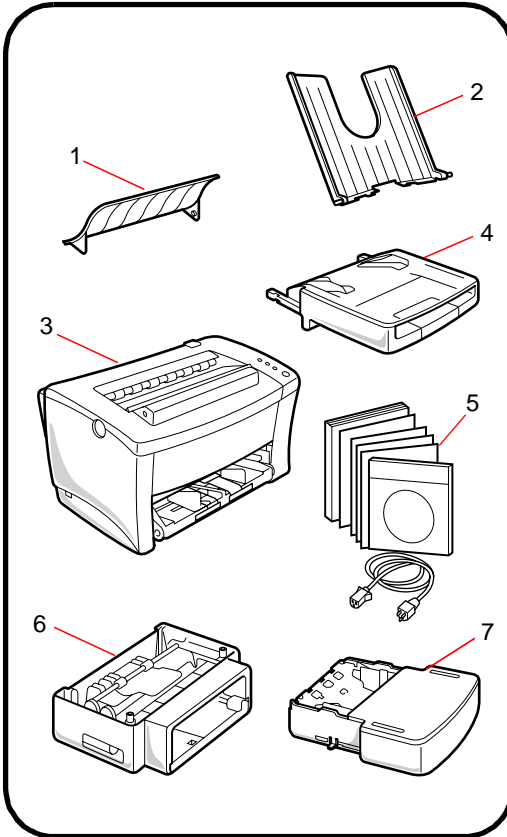
Contents

Step 1	Unpacking the Printer	2
Reference 1	Printer Parts	4
Reference 2	Control Panel	5
Step 2	Attaching the Face-Down Tray and Tray 1	6
Step 3	Setting-Up Tray 2	7
Step 4	Setting-Up the Face-Up Tray.....	9
Step 5	Loading Paper.....	11
Step 6	Connecting the Power Cord	12
Step 7	Turning the Power On/Off	12
Step 8	Printing a Test Page	13
Step 9	Connecting the Printer to the Computer (Local Connection).....	14
Step 10	Installing the Printer Driver	15
Reference 3	Troubleshooting	17

Unpacking the Printer

Step 1

Before operating your printer, read the Set-Up Instructions carefully from cover to cover. Use this guide for reference.

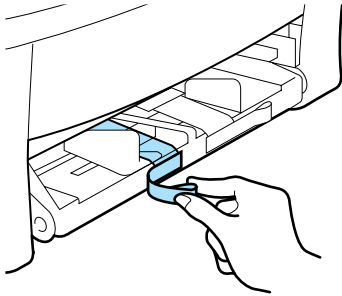


1. Face-down tray
2. Face-up tray
3. Printer
4. Tray 1
5. Accessories
User Kit including:
 - Quick Guide
 - User Manual
 - Software PackagePower cord
6. Second paper cassette unit
7. Tray 2

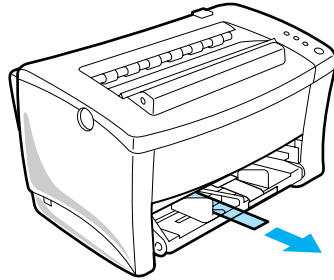
1. Take the items and accessories shown above out of the carton.

Step 1

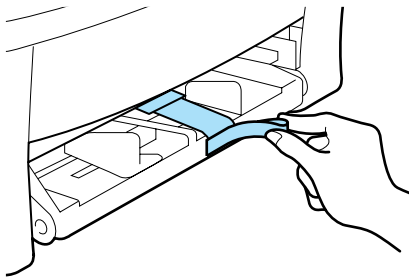
2. Remove the plastic bag and peel off the shipping tape from the printer.



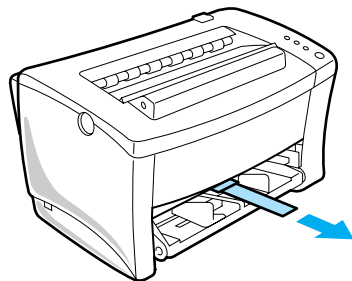
Peeling off the shipping tapes from the printer



3. Pull out the cushion from the paper feed inlet.



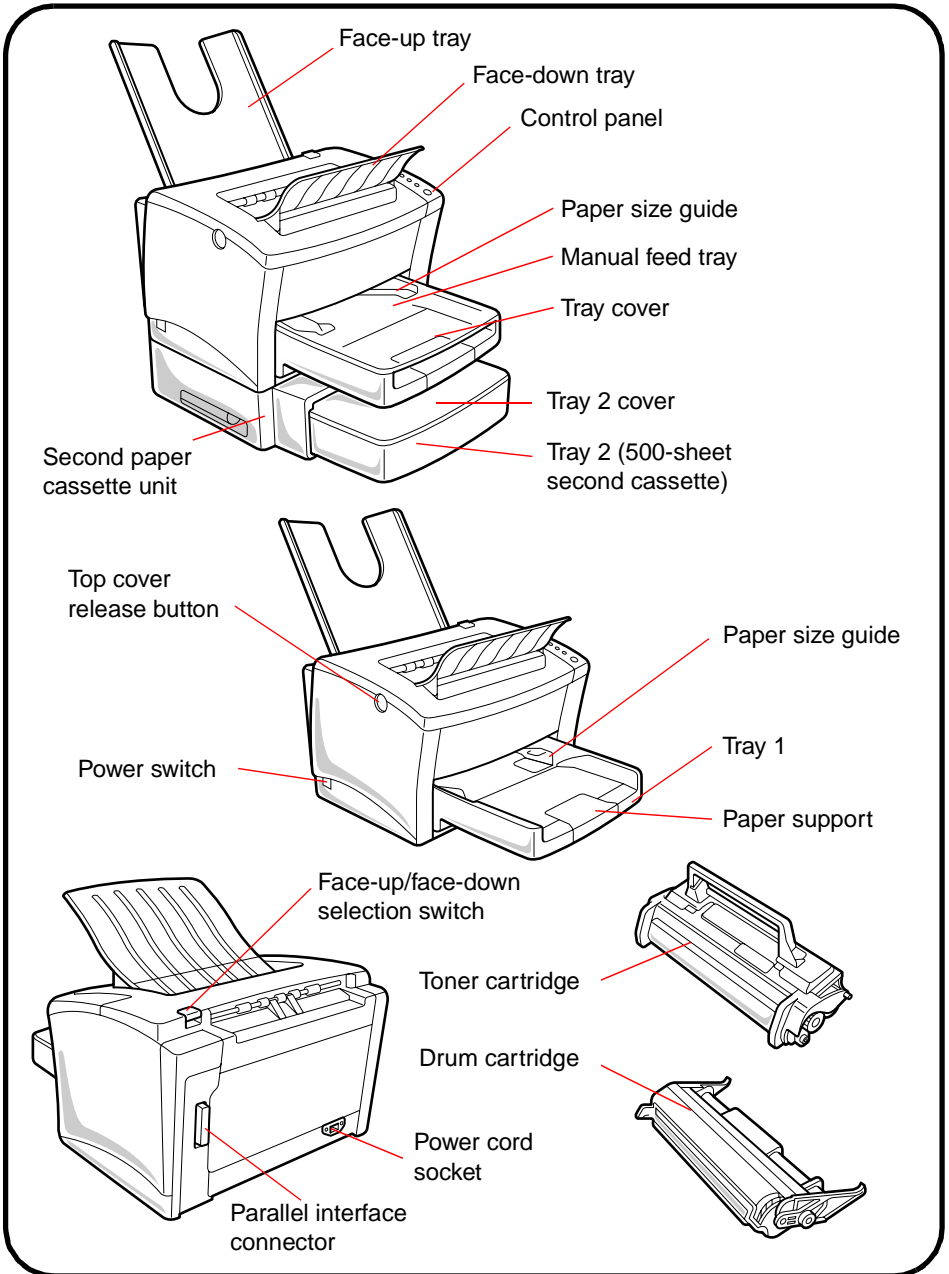
Peeling off the shipping tapes from the printer



4. Pull out the cushion from the manual feed inlet.

Printer Parts

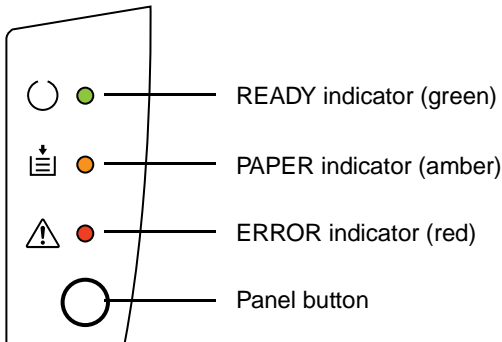
Reference 1






































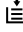




















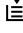






Control Panel

Reference 2

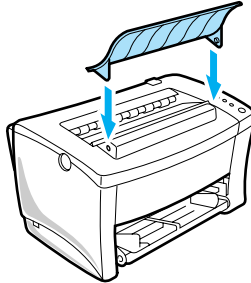
The control panel has three indicator lights and one button.



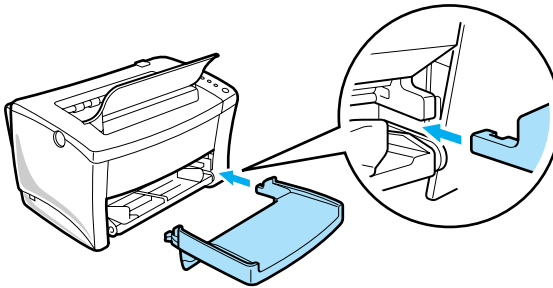
      	Printer is online (ready).	      	<ul style="list-style-type: none"> Receiving data via parallel interface. Printing the test page. 	      	Printer is off.
      	Printer is standing by waiting for manual paper feed.	      	<p>(Blinking slowly) Power save mode.</p>	      	<ul style="list-style-type: none"> Out of paper. Load more paper to continue printing. Paper misfeed. Clear to continue printing.
      	Paper misfeed. Clear the paper misfeed and continue printing.	      	Cover open. Close the cover.	      	Print job is too complex.

Attaching the Face-Down Tray and Tray 1

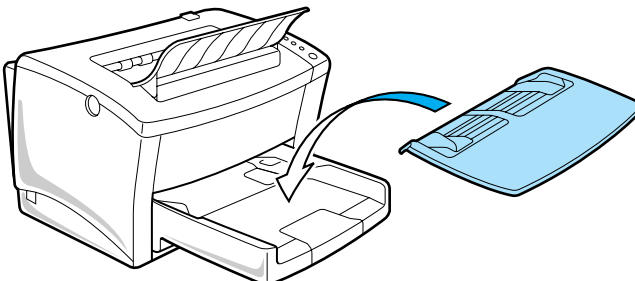
Step 2



1. Insert the 3 tabs of the face-down tray into the catch holes located along the top of the printer unit. Set the hooks that are located on both sides of the tray into the coordinating holes of the printer unit as shown in the illustration.



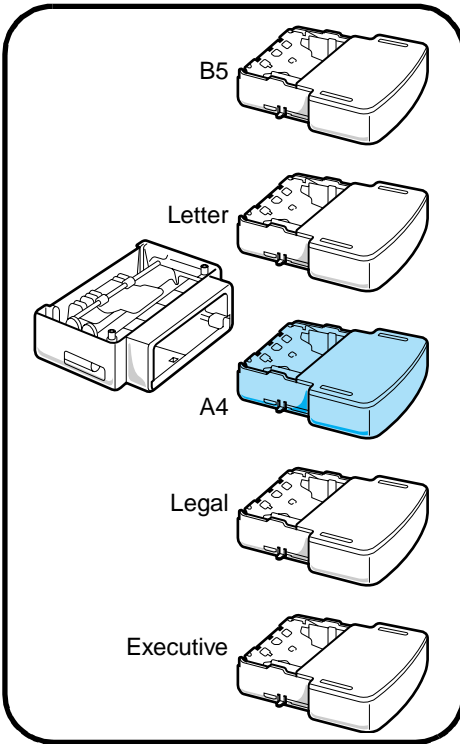
2. Using the left and right slots in the printer as guides, gently push Tray 1 until it cannot be inserted any further.



3. Attach the cover onto Tray 1.

Setting-Up Tray 2

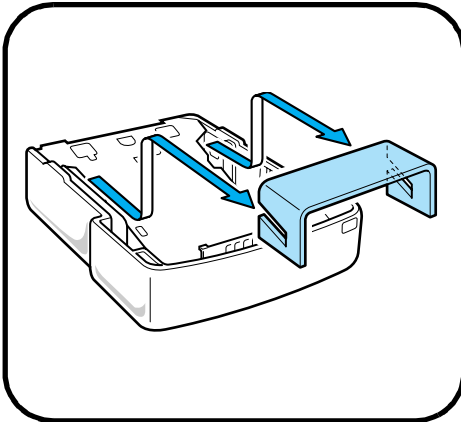
Step 3



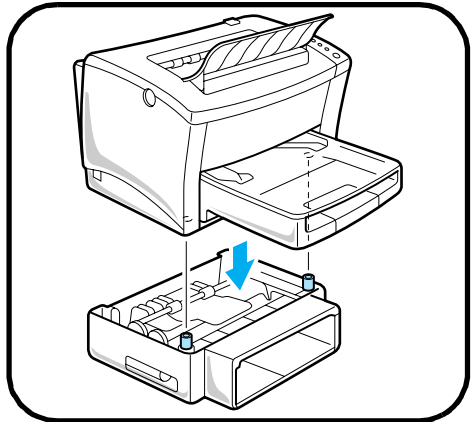
The second paper cassette unit comes equipped with a cassette that can hold up to 500 sheets of A4 size paper called Tray 2.

The same unit can accommodate a variety of other paper trays as well (B5, Letter, Legal and Executive). Contact your Minolta dealer to find out how you can add these trays to increase the capabilities of your printer.

1. Remove the second paper cassette unit from its packaging, including the protective tape used to hold the various components in place.

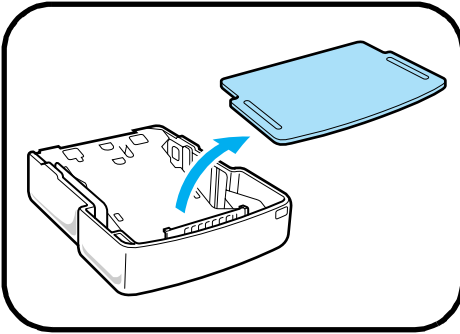


2. Remove the protective cardboard packaging from the cassette as shown in the illustration above.

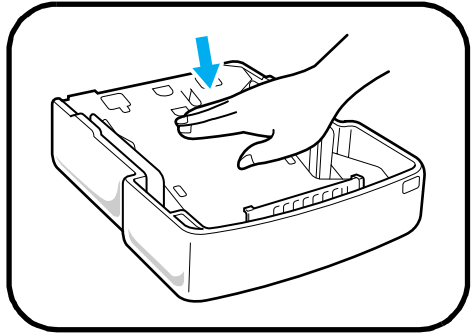


3. Place the printer on top of the base unit. Make sure to align the coupling pins and holes.

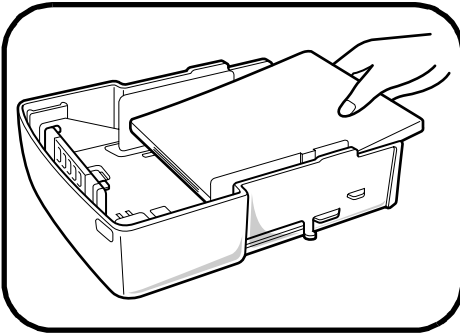
Step 3



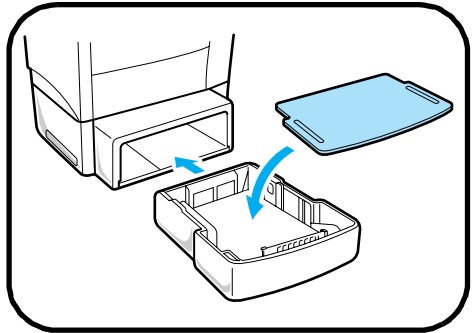
4. Remove the cover from Tray 2.



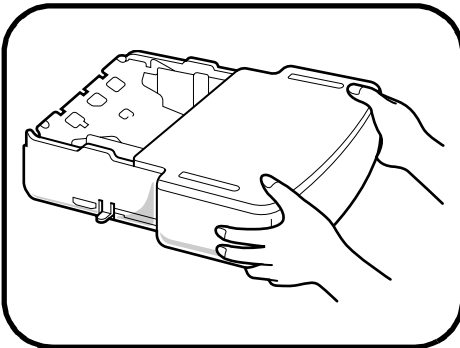
5. Press down on the paper lifting plate located inside of Tray 2 until it locks.



6. Align the edges. Place the stack of paper onto Tray 2.



7. Replace the cassette cover and insert Tray 2 into the second paper cassette unit.



Note

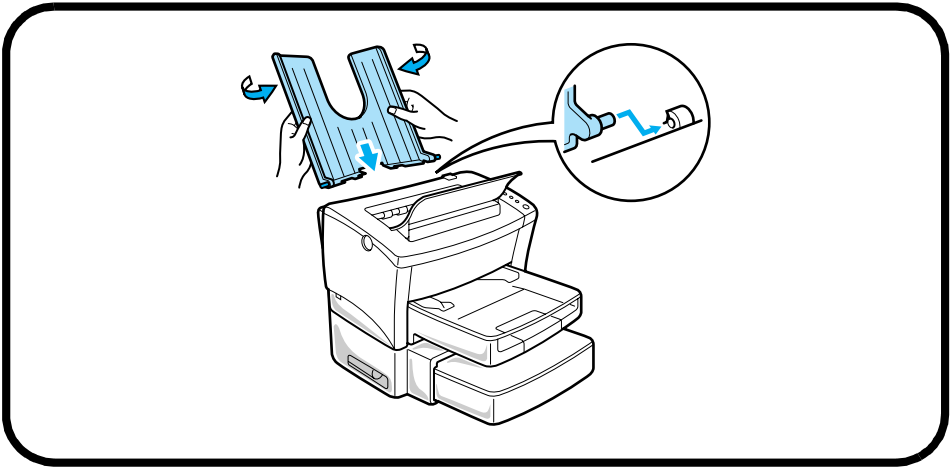
- Be sure to use both hands whenever the cassette tray is removed from or inserted into the Tray 2 unit.
- The cassette is designed to remain in the unit during the normal loading and operation of the printer. To remove Tray 2 from the unit, pull it out as far as it will go without force. Then gently raise the forward-end up, and remove Tray 2 from the unit.

Setting-Up the Face-Up Tray

Step 4

The face-up tray receives printed pages, printed side up, as they are output from the printer. This tray is recommended for thick paper or envelopes to avoid curling during the feeding process.

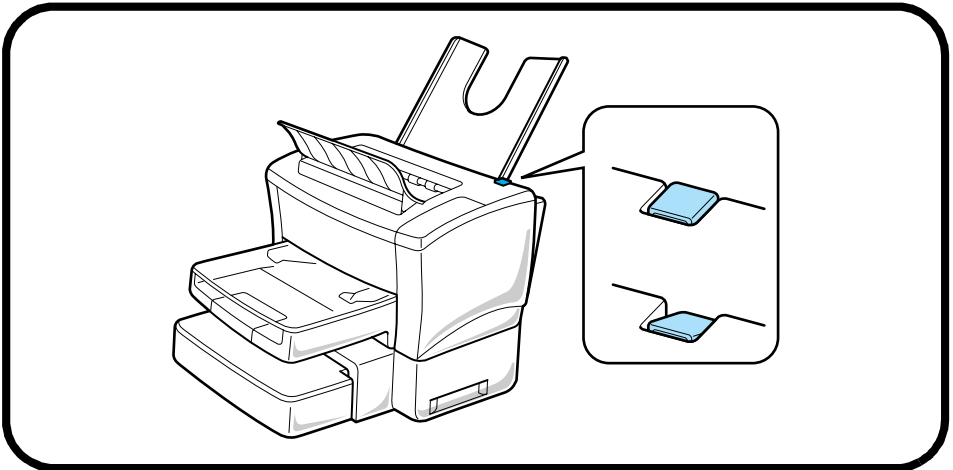
Installing the Face-Up Tray



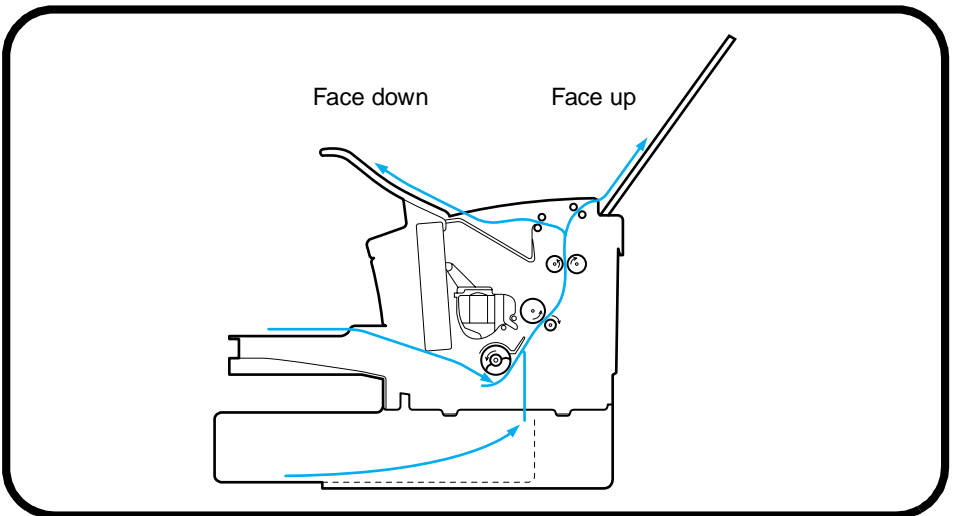
1. Remove the face-up tray from its carton as well as from its protective plastic bag.
2. Gently bend the output tray inwards, toward the printer, with both hands. Align the insertion pins of the tray with the pin holders of the printer.

Step 4

Selecting output direction (printed side up or down)

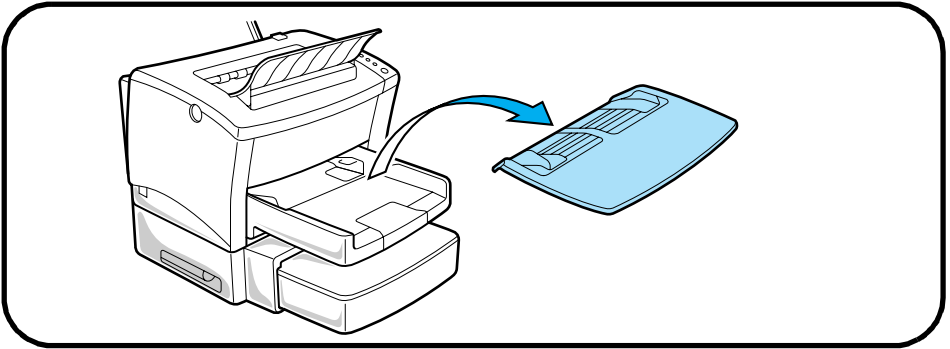


1. When the switch is flush with the top of the printer, prints are output printed side down (factory default).
2. When the switch is pressed in, prints are output printed side up.

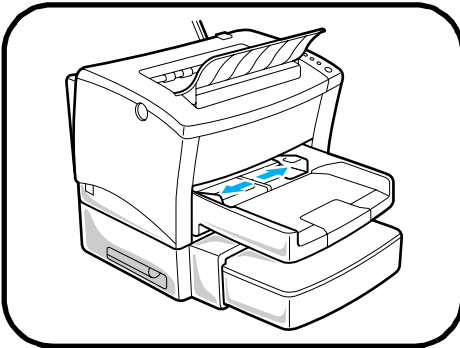


Loading Paper

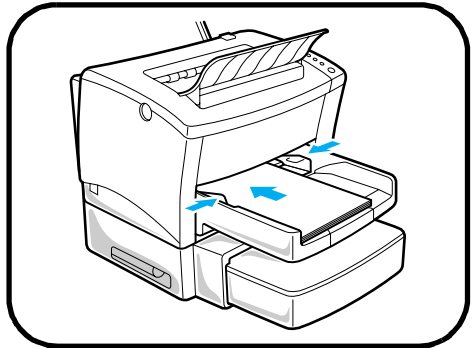
Step 5



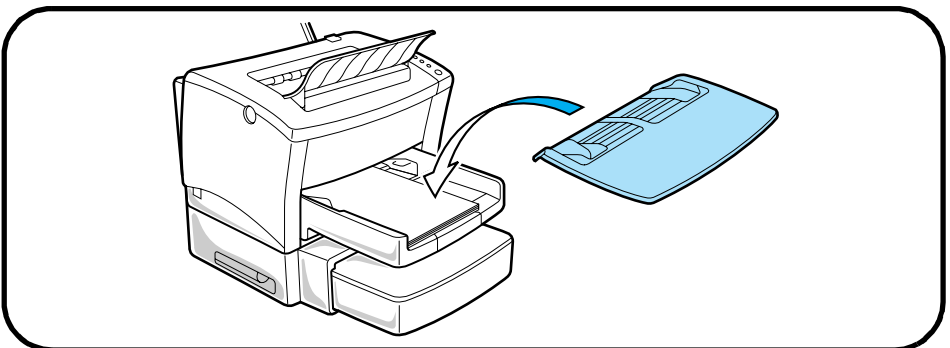
1. Remove the cover from Tray 1.



2. Open the paper size guides.



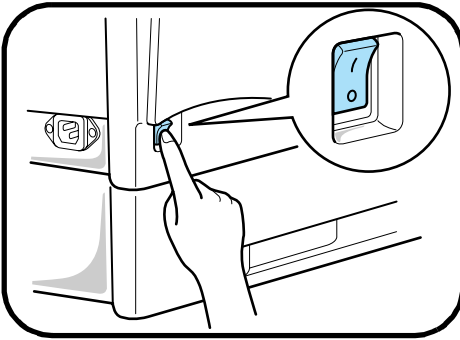
3. Place several pages of paper in Tray 1 and adjust the paper size guides.



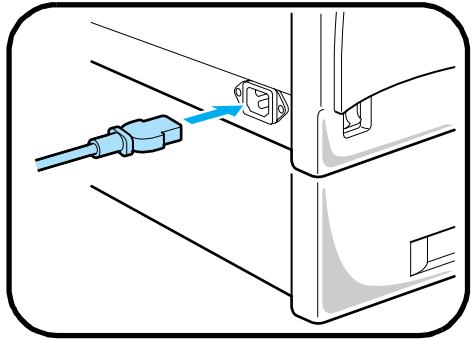
4. Replace the tray cover.

Connecting the Power Cord

Step 6



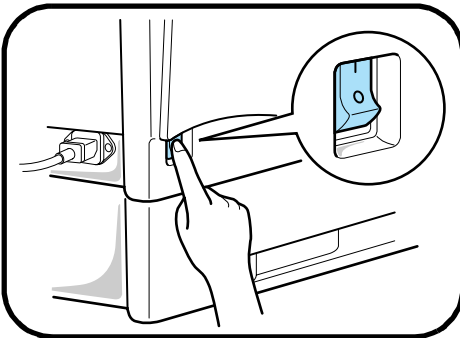
1. Make sure that the printer's power switch is in the **O** (Off) position.



2. Connect one end of the power cord that comes with the printer to the power cord socket. Plug the other end into a power outlet.

Turning the Power On/Off

Step 7



Turning the power ON

After connecting the printer to a power outlet, press the power switch to the **I** (On) position. Turning on the printer causes all of the indicators on the control panel to light, which indicates that the printer is warming up. In about 20 seconds, only the **READY** indicator remains lit, indicating that the printer is ready to print.

Turning the power OFF

Press the power switch to the **O** (Off) position to turn the printer off.

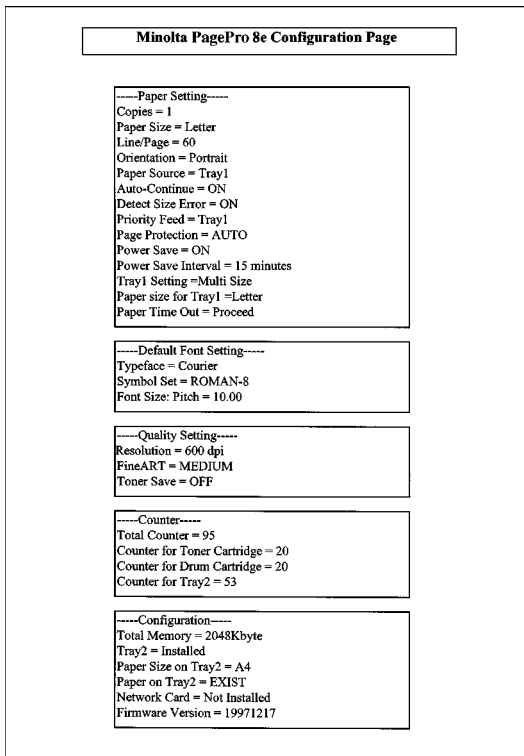
Note

DO NOT turn the power OFF while:

- printing
- the printer is receiving the data from the computer (the indicator on the control panel is blinking)
- resetting the printer

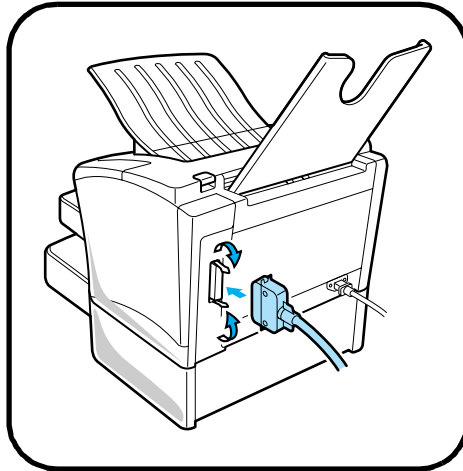
1. Turn the printer on.
2. Make sure that paper is loaded into the printer's feeding tray.
3. Make sure that both the PAPER and ERROR indicators are off, and the READY indicator is on.
4. Briefly press the panel button to start the print Self-Test Page operation.

Sample



Connecting the Printer to the Computer (Local Connection) **Step 9**

1. Turn the printer and the computer off.
2. Connect one end of the interface cable to the parallel port of the computer.



3. Connect the other end of the cable to the parallel connector on the back of the printer. Secure the cable using the two clips on the parallel connector.

Windows 95

Installing from CD-ROM

1. Turn on your computer and start up Windows 95.
2. Insert the **Minolta PagePro** CD-ROM into your computer's CD-ROM drive.
3. The opening screen automatically appears on the screen.
4. Follow the instructions, and select the type of installation you want. After installing the printer driver, the **PageWorks/Pro 8e Standard** and **PageWorks/Pro 8e Enhanced** printer icons appear in the **Printers** folder.

Windows 3.1

Installing from CD-ROM

1. Turn on your computer and start up Windows 3.1.
2. Insert the **Minolta PagePro** CD-ROM into your computer's CD-ROM drive. For this example, we will assume that the CD-ROM is located in drive D:.
3. From the **Program Manager**, double-click **Main** to display the Main group, and then double-click **File Manager**.
4. Open the drive D:\ window, then double-click the D:\drivers\pp8e\win311\gb\pcl\drv**wssetup.exe** icon to start up the installer.
5. Follow the instructions, and select the type of installation you want.

Windows NT4.0

Installing from CD-ROM

1. Turn on your computer and start up Windows NT4.0.
2. Insert the CD-ROM that comes with your printer.
3. The opening screen automatically appears on the screen.
4. Follow the instructions, and select the type of installation you want.
5. What you should do next depends on how your printer is connected to your computer:
 - Printer connected directly to parallel port (LPT)
 - Printer connected directly to network port (LPR)
 - Computer accesses printer through network print server
6. For details, refer to Chapter 4 of the User's Manual.

MS-DOS

Installing DOS Printing Utilities

1. Connect your printer to the parallel port of your computer.
2. Turn on your computer and start up DOS.
3. Turn on your printer and make sure it is online.
4. Insert the CD-ROM that comes with your printer. For this example, we will assume that the CD-ROM is located in drive D:.
5. From the DOS prompt, create a directory on your hard disk for the DOS software.

For example;

```
Type: md c:\mltdos
```

6. Change to the directory you created in the above step.

```
Type: cd c:\mltdos
```

7. Copy the Minolta PagePro 8e DOS Printing Utility program file from the CD-ROM.

```
Type: copy d:\drivers\pp8e\dos\dosdisk.exe
```

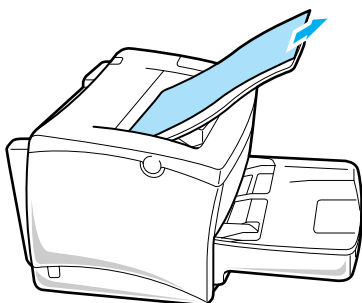
8. Use the following command to uncompress the DOS Printing Utilities program file.

```
Type: dosdisk
```

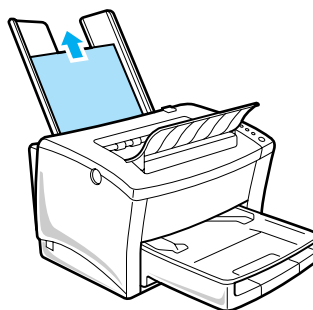

Clearing a Paper Misfeed

Remove the misfed sheet of paper by pulling it in the direction indicated by the arrow.

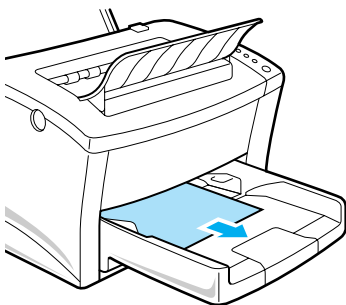
Face-down tray



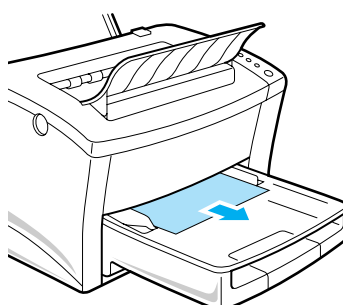
Face-up tray



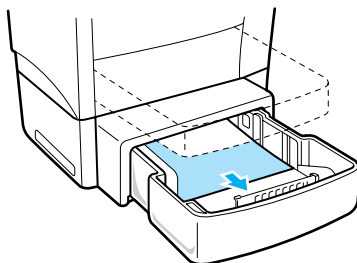
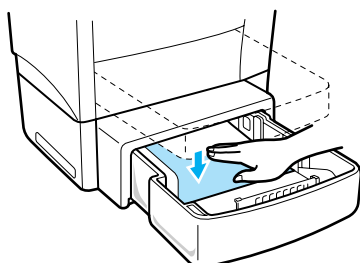
Tray 1



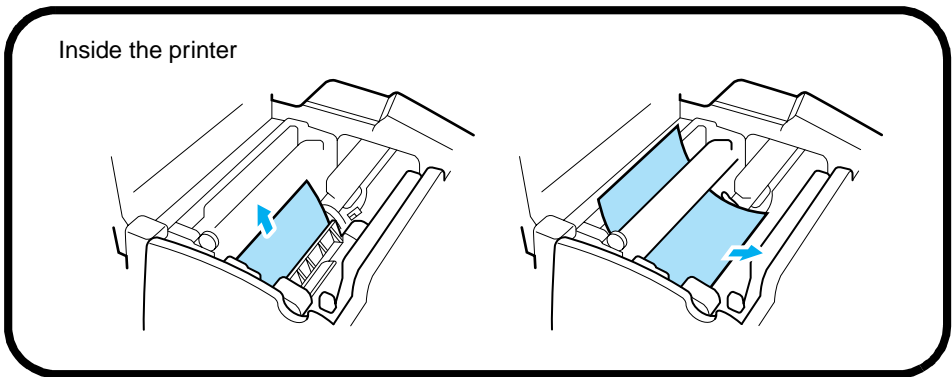
Manual feed tray



Tray 2



Clearing a Paper Misfeed



Caution

- The fusing unit inside the printer can become very hot during operation. Do not touch the area to avoid injury.
- Be careful to avoid touching the image transfer roller.

Solving Print Quality Problems

- Remove the toner cartridge and shake it left and right a few times to distribute remaining toner.
- Remove the toner cartridge and check it for damage. Replace the toner cartridge if necessary.
- Remove the drum cartridge and check it for damage. Replace the drum cartridge if necessary.
- Clean the inside of the printer. (Refer to the User's Manual.)
- Change the toner save setting of the printer driver and try to print again.

For more details, refer to the "Troubleshooting" and "Maintenance" section of the User's Manual.

Reference 3

No output

- Make sure that the printer is plugged in.
- Make sure that power is turned on.
- Make sure that you are using the correct type of printer cable.
- Make sure that your computer's communication port settings are correct.

For more details, refer to the User's Manual.

Safety Information

Laser Safety

This is a page printer which operates by means of a laser. There is no possibility of danger from the laser, provided the printer is operated according to the instructions in this manual.

Since radiation emitted by the laser is completely confined within protective housing, the laser beam cannot escape from the machine during any phase of user operation.

This printer is certified as a Class 1 Laser product. This means that the printer does not produce hazardous laser radiation.

Internal Laser Radiation

Maximum Radiation Power : 0.73 (mW) at laser aperture of the print head unit

Wavelength : 770-810 (nm)

This product employs Class IIIb Laser Diode.

Laser Diode and Scanning Polygon Mirror are incorporated in the print head unit.

The print head unit is NOT A FIELD SERVICE ITEM.

Therefore, the print head unit should not be opened under any circumstance.

WARNING: Use of controls, adjustments or performance of procedures other than those specified in this manual may result in hazardous radiation exposure.

This is a semiconductor laser. The maximum power of the laser diode is 5mW and the wavelength is 770-810 nm.

For Denmark Users

ADVARSEL: Usynlig laserstråling ved åbning, når sikkerhedsafbrydere er ude af funktion. Undgå udsættelse for stråling.

Klasse 1 laser produkt der opfylder IEC825 sikkerheds kravene.

For Finland, Sweden Users

VAROITUS: Laitteen käyttäminen muulla kuin tässä käyttöohjeessa mainitulla tavalla saattaa altistaa käyttäjän turvallisuusluokan 1 ylittävälle näkymättömälle lasersäteilylle.

VARNNING: Om apparaten används på annat sätt än i denna bruksanvisning specificerats, kan användaren utsättas för osynlig laserstrålning som överskrider gränsen för laser klass 1.

VARO! Avattaessa ja suojalukitus ohitettaessa olet alttiina näkymättömälle lasersäteilylle. Äjä katso säteeseen.

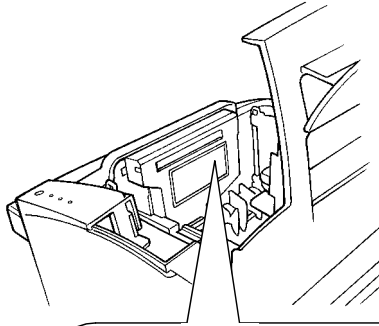
VARNING! Osynlig laserstrålning när denna del är öppnad och spärren är urkopplad. Betrakta ej strålen.

For Norway Users

ADVARSEL: Dersom apparatet brukes på annen måte enn spesifisert i denne bruksanvisning, kan brukeren utsettes for usynlig laserstråling som overskrider grensen for laser klasse 1.

Dette er en halvleder laser. Maksimal effekt til laserdioder er 5mW og bølglengde er 770-810 nm.

WARNING LABEL

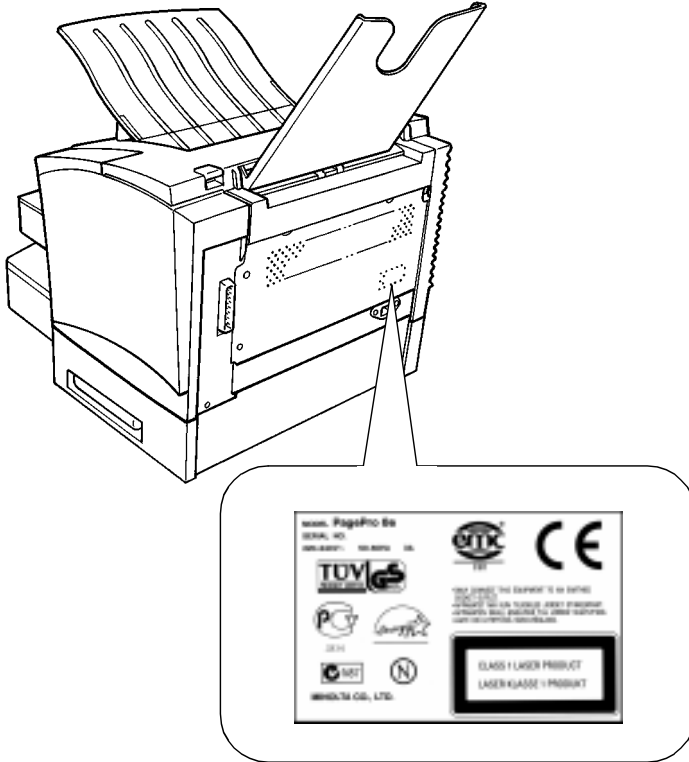


注意- 此装置在打开盖子时，会产生不可见的激光辐射，避免暴露于激光束。
CAUTION- INVISIBLE LASER RADIATION WHEN OPEN AVOID EXPOSURE TO BEAM
VORSICHT- UNSICHTBARE LASERSTRahlung WENN ABDECKUNG GEÖFFNET NICHT DEM STRAHl AUSSETZEN
ADVARSEL- USYNLIG LASERSTRÅLING NÄR DEKSEL ÖPNES UNNGÅ EKSPONERING FÖR STRÅLEN
VARO! AVIRTTÄISSÄ OLET ALITILINA NÄKYMÄTTÖMÄLLE LASERSÄTELYLLE ÄLÄ KATSO SÄTEESEEN
ADVARSEL- USYNLIG LASERSTRÅLING VED ÅBNING UNDGÅ UDSETELSE FOR STRÅLING
WARNING- OSYNLIG LASERSTRÅLING NÄR DENNA DEL ÄR ÖPPNAD STRÅLEN ÄR FARLIG
注意： 当打开盖子时，会产生不可见的激光辐射，避免暴露于激光束。

Foreword

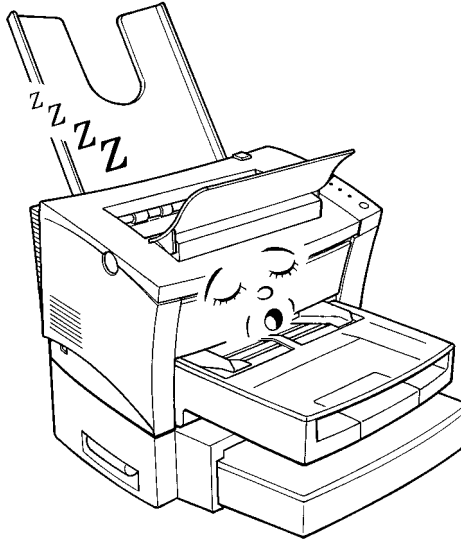
This device must be used with a shielded interface (Parallel) cable. The use of non-shield cables is likely to result in interference with radio communications and is prohibited under 89/336/EEC rules.

WARNING LABEL





As an ENERGY STAR® Partner, we have determined that this machine meets the ENERGY STAR® Guidelines for energy efficiency.



What is an ENERGY STAR® Printer ?

ENERGY STAR® printers have a feature that allows them to automatically “go to sleep” after a period of inactivity. This auto-feature can reduce a machine’s annual electricity cost by 60 per cent.

Welcome

And thank you for selecting a Minolta PagePro 8e Printer!

To assist you to easily set up and operate your printer and install the Printer Driver software, the Minolta PagePro 8e Printer comes with a comprehensive *User Kit*. The Minolta PagePro 8e *User Kit* consists of a *Quick Guide for Installation and Reference*, an *User's Manual* and a *Software Package*.

Before you operate your printer, read the *Set-Up Instructions* in the *Quick Guide for Installation and Reference* carefully.

The *User's Manual* explains the functions of the printer and how it operates. It also provides you with troubleshooting tips as well as general precautions you should observe when operating the printer. To ensure the top performance and effective use of your printer, read this manual carefully from cover to cover, and keep it at hand for later reference.

No part of this document may be reproduced, transmitted, transcribed, stored in a retrieval system, or translated into other languages without the express written prior consent of Minolta Co., Ltd.

The contents of this manual are subject to change without notice.

Trademark Acknowledgements

LaserJet 6P and PCL are registered trademarks of Hewlett-Packard Company.

Centronics is a registered trademark of Centronics Inc.

MS-DOS, Microsoft, and Windows are registered trademarks of Microsoft Corporation.

IBM is a registered trademark of International Business Machines Corporation.

PagePro is a trademark of Minolta in Europe, Japan and Asia.

All other brand or product names are trademarks or registered trademarks of their respective companies or organizations.

CONTENTS

Chapter 1: Introduction

Features	1-1
Features: hardware	1-1
Features: software	1-1
Printer Parts and Accessories	1-2
Control Panel	1-4
Indicator Lights	1-4
Control Panel Button	1-7
Counter Reset Mode	1-7
Job Cancel	1-7
Print Configuration	1-8
Form Feed	1-8

Chapter 2: Setting Up

Installation Precautions	2-1
Selecting a Location for the Printer	2-1
Power Source	2-2
Space Requirements	2-3
Operational Precautions	2-4
Operating Environment	2-4
Printer	2-4

Printer Supplies	2-6
Setting-Up	2-7
Installing the Face-Down Tray	2-7
Installing Tray1	2-7
Second Paper Cassette Unit.....	2-9
Installing the Second Paper Cassette Unit .	2-9
Face-Up Tray.....	2-11
Installing the face-up tray.....	2-11
Selecting output direction (printed side up or down)	2-12
Connecting the Power Cord.....	2-14
Loading Paper.....	2-15
Turning on the Printer	2-17
Testing the Printer	2-18
Connecting to a Computer	2-20
Options.....	2-21
SIMM (Single In-line Memory Module)	2-21
Installing the optional SIMM	2-21
IrDA Unit	2-24
Using the Infrared Port	2-24
To print with the infrared port.....	2-25
Network Interface Card (NIC)	2-27

Chapter 3: Using the printer

Printing Paper..... 3-1

- Type 3-1
- Size 3-1
 - Standard size..... 3-1
 - Non-Standard size (Tray 1 only) 3-1

Loading Paper 3-2

- Loading Paper onto Tray 1 3-2
- Loading Paper onto Tray 2 3-5
- Manual Paper Feed..... 3-9
- Printing on Envelopes 3-11

Chapter 4: Printer Driver

Introduction 4-1

System Requirements 4-1

Installing the PagePro 8e Printer Driver

- Under Windows 95 4-2**
 - Installing the Pagepro 8e Printer Driver 4-2
 - To uninstall the PagePro 8e Printer Driver 4-5
 - Displaying the PagePro 8e
 - Driver Setup Dialog 4-7

Installing the PagePro 8e Printer Driver

Under Windows 3.1 4-9
 To install the PagePro 8e Printer Driver..... 4-9
 To uninstall the PagePro 8e Printer Driver 4-14
 Displaying the PagePro 8e Driver
 Setup Dialog..... 4-15

Installing the Printer Driver

Under Windows NT4.0 4-17
 To install the PagePro 8e Printer Driver..... 4-17
 To uninstall the PagePro 8e Printer Driver 4-39
 Displaying the PagePro 8e
 Driver Setup Dialog 4-41

Using the Minolta PagePro 8e Printer Driver

Under Windows 4-43
 Using the PagePro 8e Driver Setup Dialog.... 4-44
 Using the PagePro 8e Enhanced Driver
 Setup Dialog..... 4-55

DOS Printing Utilities 4-63

 Installing DOS Printing Utilities 4-63
 Loading and Unloading the Status Display 4-64
 Accessing the Printer Control Panel 4-65
 Using the Printer Control Panel 4-67
 Printer Control Panel Screens 4-71

Using the Status Display..... 4-80
Installation from a Floppy Diskette..... 4-83

Chapter 5: Using MLT PagePro 8 Tools

Introduction 5-1
Starting Up the Status Display..... 5-1
 To start up the Status Display under
 Windows 95..... 5-2
 To start up the Status Display under
 Windows 3.1 5-3
Using the Status Display 5-4
 To expand the size of the Status Display 5-5
 To turn Popup Error Messages On and Off..... 5-6
 To specify popup message conditions 5-7
Starting Up the Control Panel 5-8
 To start up the Control Panel under
 Windows 95..... 5-9
 To start up the Control Panel under
 Windows 3.1 5-10
Using the Control Panel..... 5-11
 Common Buttons 5-12
 Paper 5-13
 Printer Setting 5-15

Test Print..... 5-16
Counter 5-17
Configuration 5-18

Chapter 6: Maintenance

Replacing the Toner Cartridge..... 6-1
 To replace the toner cartridge 6-1
 To reset the counter of the toner cartridge..... 6-5
Replacing the Drum Cartridge 6-6
 To replace the drum cartridge 6-6
 To reset the counter of the drum cartridge..... 6-10
Cleaning the Printer 6-11
 Cleaning the Outside of the Printer..... 6-11
 Cleaning the Paper Transport Roller..... 6-11

Chapter 7: Troubleshooting

Clearing a Paper Misfeed..... 7-1
 Paper Output Misfeed (Face-down tray) 7-3
 Paper Output Misfeed (Face-up tray) 7-3
 Paper Input Misfeed (from Tray 1) 7-4
 Paper Input Misfeed
 (from Manual Feed Tray) 7-4
 Paper Input Misfeed

(from Second Paper Cassette Unit) 7-5

Inside the Printer 7-6

Print Quality Problems..... 7-8

Blank pages 7-8

Black pages 7-8

Printout too light..... 7-9

Printout too dark 7-9

Blurred background..... 7-10

Uneven print density 7-10

Irregularities 7-10

White or black line..... 7-11

Toner smudges 7-11

Contents

No output	7-12
Are you using the correct type of printer cable?	7-12
Are your computer's communications port settings correct?	7-12

Chapter 8: Specifications

PagePro 8e Printer	8-1
Second Paper Cassette Unit	8-3
Interface Connector and Cable	8-4
SIMM (Option).....	8-5

Appendix A: Glossary

Appendix B: Index

General Information

Declaration of Conformity	1
End User License Agreement	2
Addresses MINOLTA-Partners in Europe	10
MINOLTA Guarantee Certificate	12
We do good service	16

Chapter **1**
Introduction

Features

The Minolta PagePro 8e printer is a laser printer developed exclusively for use with Windows 95, Windows 3.1, Windows NT4.0, Windows NT3.51 and DOS operating systems.

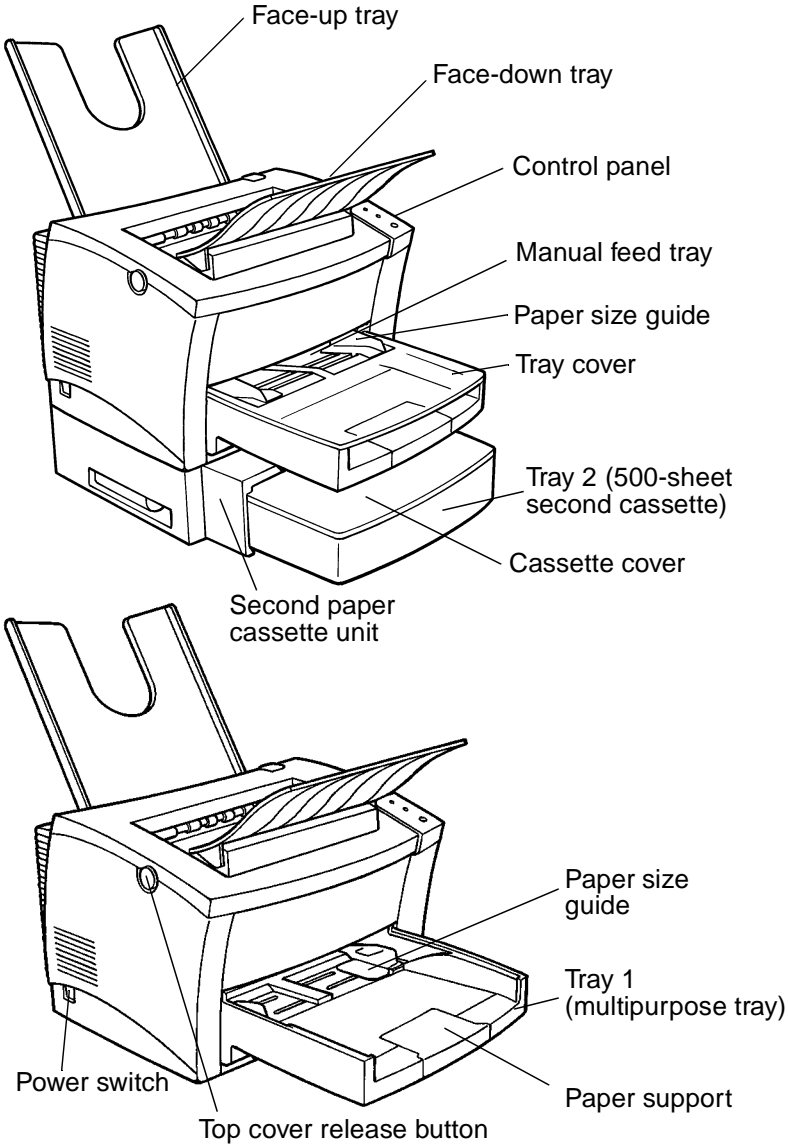
Features: hardware

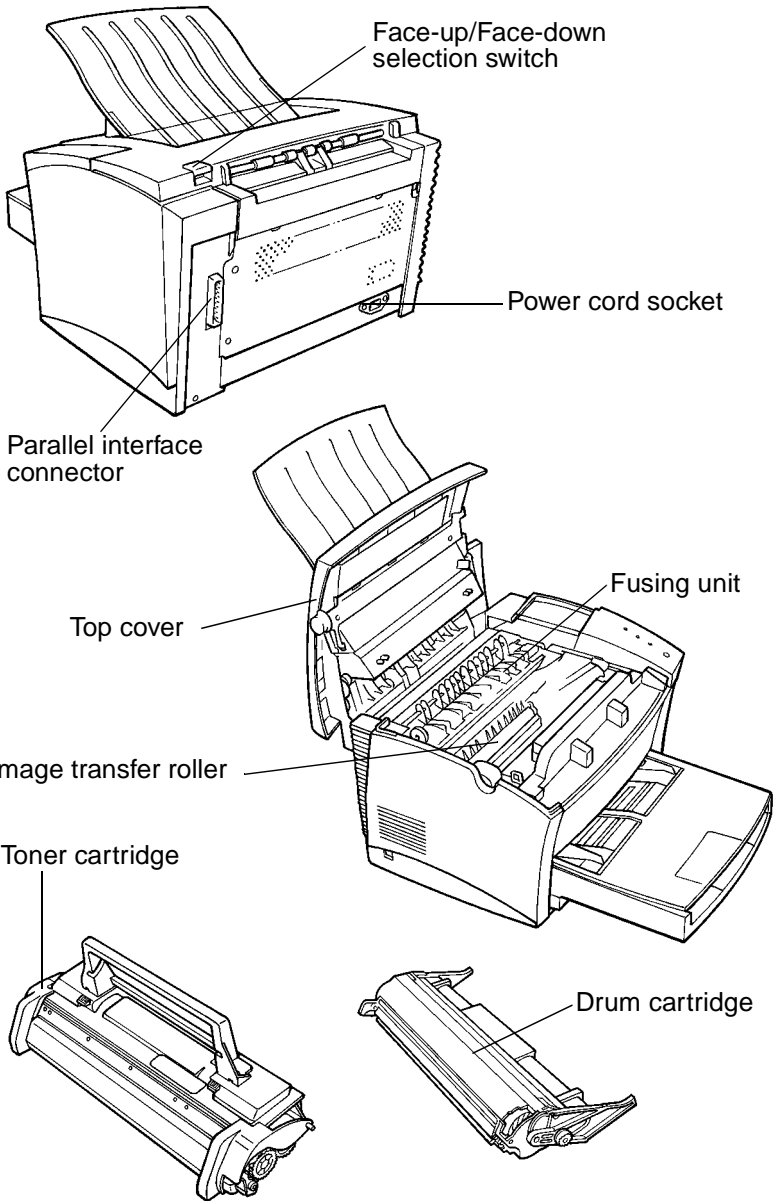
- Compact laser printer with HP LaserJet 6P emulation
- Real 600 dpi (dots per inch) resolution
- Printing of eight or more A4-size pages per minute
- New toner and drum cartridges that are smaller and easier to install
- Fine Micro-Toning (Fine-MT) cartridges for clearer and sharper images
- Fine-ART (Advanced Resolution Technology) for resolution that actually exceeds 600 dpi

Features: software

- High speed performance
- Easy to use networking
- Special features like watermark printing, image shift and N-up printing
- Windows status monitor --- Displays simultaneous printer status information as well as reports the progress of the current print job

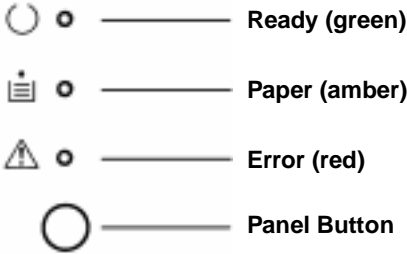
Printer Parts and Accessories





Control Panel

The control panel has three indicator lights and one button.



Indicator Lights

The three indicator lights turn on, off, or blink in combination to let you know the current status of the printer. You can find out details of the printer's status by checking the information that appears on your computer screen.

Indicator Lights			Printer Status
Ready	Paper	Error	
Off	Off	Off	Power is off.
Off	Off	On	Cover is open.
Off	Off	Blinking	Print job is too complex. Push the panel button to perform a form feed.
Off	On	Off	Out of paper. Load more paper or clear the misfeed and continue printing.
Off	Blinking	Off	Paper jam. Clear the jam and continue printing.

Indicator Lights			Printer Status
Ready	Paper	Error	
Off	Blinking	Blinking	Paper size error. Adjust the paper size setting to match the paper you are using and continue printing.
On	Off	Off	Printer is ready.
On	On	On	Power on initial setting.
Blinking	Off	Off	Receiving data via parallel interface. Printing the test page.
Blinking	Off	On	Receiving data via network interface.
Blinking	On	Off	Receiving data via infrared port (IrDA).
Blinking	Blinking	Off	Warming up.
Slow Blinking	Off	Off	Power Save Mode.
On	On	Off	Printer is standing by waiting for manual paper feed.
On	Blinking	Off	Printer is standing by waiting for feeding from Tray 1 or Tray 2.
On	Blinking	Blinking	Second paper cassette unit is not installed.
Blinking	On	On	Waiting for remaining print data.
Blinking	Blinking	Blinking	Counter rest mode.
Blinking	Blinking	On	Engine communication error. Turn off the printer and contact Minolta dealer.
Off	On	Blinking	Controller error. Turn off the printer and contact Minolta dealer.

Control Panel

Indicator Lights			Printer Status
Ready	Paper	Error	
On	Off	Blinking	Engine error (fusing unit). Turn off the printer and contact Minolta dealer.
On	On	Blinking	Engine error (laser). Turn off the printer and contact Minolta dealer.
Blinking	Off	Blinking	Engine error (polygon scanner). Turn off the printer and contact Minolta dealer.

Control Panel Button

Depending on the status of the printer, the control panel button performs any one of the following operations.

- Reset the counter
- Job cancel
- Print configuration page
- Form feed

Counter Reset Mode

Use the following procedure whenever you want to reset the counter.

1. Turn off power.
2. While holding down the control panel button, turn on power. Keep the button depressed for about five seconds.
3. After all the indicator lights blink the printer enters the counter reset mode. See page 6-5 and 6-10 for details.

Job Cancel

Use the following procedure whenever you want to cancel the current job.

1. Hold down the control panel button for about five seconds.
2. After all the indicator lights are lit, release the control panel button to cancel the print job.

Control Panel

Print Configuration

Use the following procedure whenever you want to print a sheet that shows the current printer settings.

- Hold down the control panel button for a few seconds.

Form Feed

When a memory overflow occurs, press the control panel button to perform a form feed.

Chapter

Setting-Up

2

Installation Precautions

Note the following important precautions when selecting a location for the printer and when connecting it to a power source.

Selecting a Location for the Printer

A proper location helps to ensure that your printer provides you with the long service life for which it is designed. Double-check to make sure that the location you select has the following characteristics.

- ✓ Choose a location that is well-ventilated.
- ✓ Make sure there is no chance of ammonia or other organic gasses being generated in the area.
- ✓ The power outlet you plan to connect to for power should be nearby and unobstructed.
- ✓ Make sure that the printer is not exposed to direct sunlight.
- ✓ Avoid areas in the direct airflow of air conditioners, heaters, or ventilators, and areas subjected to temperature and humidity extremes.
- ✓ Choose a sturdy, level surface where the printer will not be exposed to strong vibration.
- ✓ Keep the printer away from any objects that might block its heat vents.
- ✓ Do not locate the printer near curtains or other combustible objects.
- ✓ Choose an area where there is no possibility of the printer being splashed with water or other liquids.
- ✓ Make sure that the surrounding area is clean, dry, and free of dust.

Power Source

The following are the power source requirements for this printer.

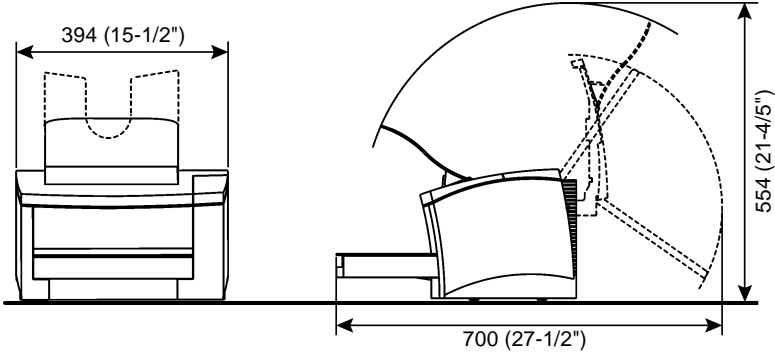
- Power source: 220 - 240 V at 50 - 60 Hz
- Voltage fluctuation: Within 220 V -10%, 240 V +10%
- Frequency fluctuation: Within $\pm 0.3\%$

Note

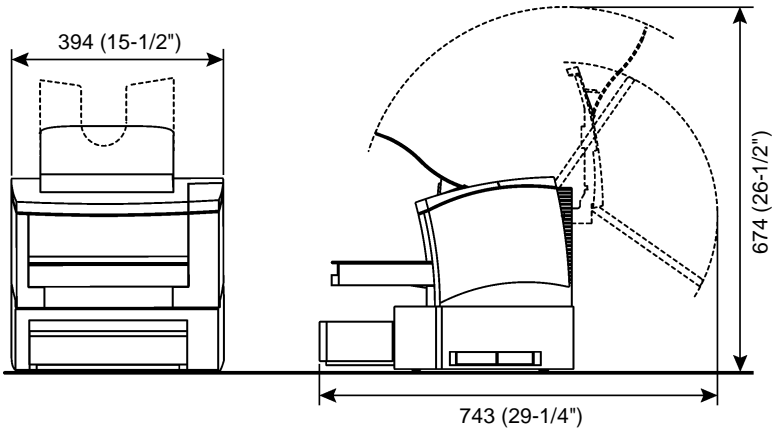
- Use a power source with minimal voltage and frequency fluctuation.
- Only use an outlet that is rated for the voltage capacity specified for this printer.
- Be sure to plug the power cord all the way into the outlet. The outlet should be located near the printer and be easily accessible so you can unplug the power cord immediately should any problem occur.
- Make sure the outlet you use is visible, and not hidden behind the printer or any other object.
- If any other electrical equipment is plugged into the same outlet, make sure that the capacity of the outlet is not exceeded.
- If you use an extension cord, make sure its capacity is greater than the power consumption of the printer. Using an extension cord with a lower capacity creates the danger of fire.
- Never use a multiple socket to connect other appliances or machines to the same outlet being used to power the printer.

Space Requirements

Be sure to provide space around the printer as indicated below, to ensure easier printer operation, paper and toner replacement, and maintenance.



With Second Paper Cassette Unit



Unit: mm(inch)

Operational Precautions

Note the following important precautions whenever using the printer.

Operating Environment

The following describes the operating environment required when using the printer.

- Temperature: 10°C to 35°C with fluctuation of 10°C per hour
- Humidity: 15% to 85% with fluctuation of 20% per hour

Printer

The following describes precautions for using the printer.

- Never turn the printer off or open any of its covers during a print operation.
- Never place flammable gasses, liquids or objects that generate magnetic forces near the printer.
- When unplugging the power cord, always grasp the plug and never pull on the cord. A damaged cord creates the danger of fire or electrical shock.
- Never touch the power cord when your hands are wet. Doing so creates the danger of electrical shock.
- Always unplug the power cord before moving the printer. Failure to do so can damage the power cord, creating the danger of fire or electrical shock.
- Always unplug the power cord if you do not plan to use the printer for a long time.
- Never try to remove any secured panel or cover. The interior of the printer contains high-voltage circuitry which creates the danger of electrical shock when exposed.

- Never try to modify the printer. Doing so creates the danger of fire or electrical shock.
- Never place any heavy objects on the power cord, pull on it or bend it. Doing so creates the danger of fire or electrical shock.
- Always make sure the printer is not placed on the electrical cord or the communications cables of any other electrical equipment. Also make sure that cords and cables do not get into the printer's mechanism. Any of these conditions create the danger of malfunction and fire.
- Always take care so that paper clips, staples, or other small pieces of metal do not get into the printer through its vents or other openings. Such objects create the danger of fire or electrical shock.
- Do not allow water or other liquids to spill on or near the printer. Fire or electrical shock can occur should water or liquid come into contact with the printer.
- Should liquid or any piece of metal accidentally get inside the printer, immediately turn it off, unplug the power cord, and contact Minolta dealer. Failure to take this immediate action creates the danger of fire or electrical shock.
- Whenever the printer emits unusually high amounts of heat, smoke, an unusual odor, or noise, immediately turn it off, unplug it, and contact Minolta dealer. Failure to take this immediate action creates the danger of fire or electrical shock.

Printer Supplies

Note the following precautions when handling printer supplies such as the toner cartridge, the drum cartridge, and paper.

- Avoid storing printer supplies in the following locations.
 - ✓ Areas subjected to direct sunlight. Additionally, the drum cartridge must be protected from fluorescent light.
 - ✓ Areas exposed to open flame.
 - ✓ Areas subjected to high humidity.
 - ✓ Areas subjected to large amounts of dust.
- Keep paper that has been removed from its wrapper, but not yet loaded onto the printer tray, in a sealed plastic bag and store it in a cool, dark location.
- Use only the original Minolta toner cartridge.
- Keep supplies out of the reach of children.
- Should your hands become soiled with toner, immediately wash them with soap and water.

Note

- | |
|---|
| <ul style="list-style-type: none">• Whenever you remove the drum cartridge from the printer, immediately wrap it with a cloth to protect it from overexposure to light. |
|---|

Setting-Up

See the *Quick Guide for Installation and Reference* in the front of this User Kit before unpacking.

Set-up the printer according to the following instructions.

Note

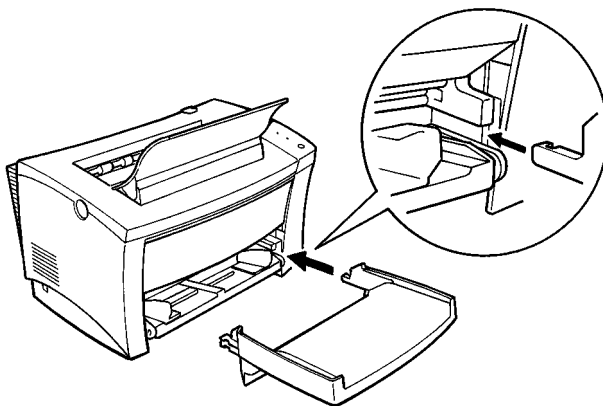
- Always use a shielded interface cable. Use of an unshielded cable can result in radio interference with data.
- Keep all the boxes and packing materials that the printer comes in for later use when transporting the printer.

Installing the Face-Down Tray

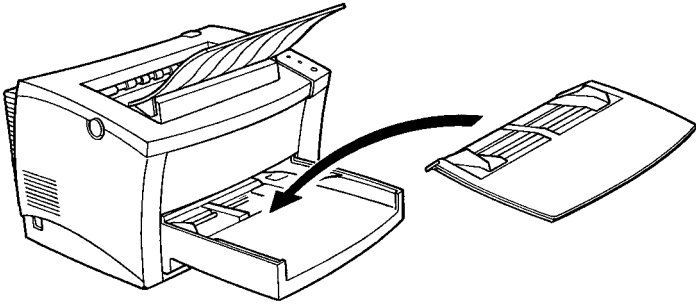
Install the face-down tray by aligning its tabs into the position holders located on the upper portion of the printer.

Installing Tray1

1. Using the left and right slots in the printer as guides, gently push Tray1 until it cannot be inserted any further.



2. Attach the cover onto Tray 1.



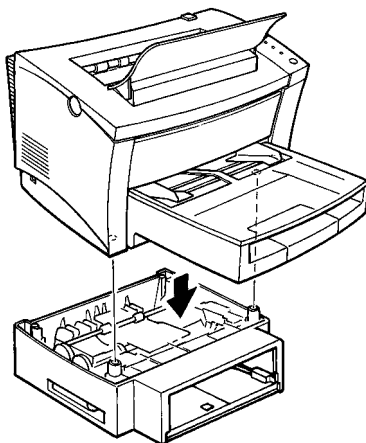
Second Paper Cassette Unit

The second paper cassette unit comes equipped with a cassette that can hold up to 500 sheets of A4 size paper called Tray 2.

The same unit can accommodate a variety of other paper trays as well (Letter, Legal, Executive and B5). Contact your Minolta dealer to find out how you can add these trays to increase the capabilities of your printer.

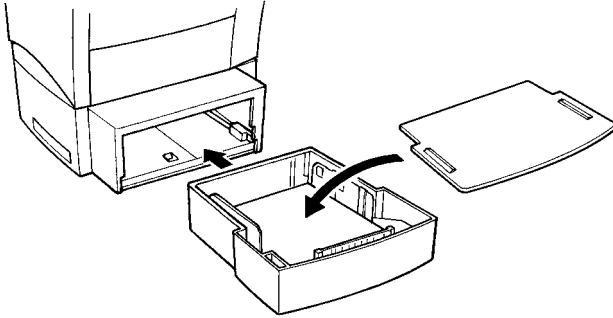
Installing the Second Paper Cassette Unit

1. Remove the second paper cassette unit and Tray 2 from their packaging, including the protective tape used to hold the various components in place.
2. Place the printer on top of the base unit. Make sure to align the coupling pins of the base unit with the holes located underneath the printer.



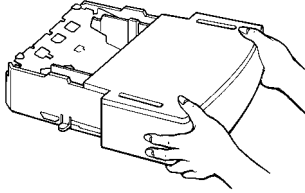
3. Load paper onto Tray 2 (see page 3-5 for details).

4. Insert Tray 2 into the second paper cassette unit.



Note

- Be sure to use both hands whenever Tray 2 is removed from or inserted into the second paper cassette unit.



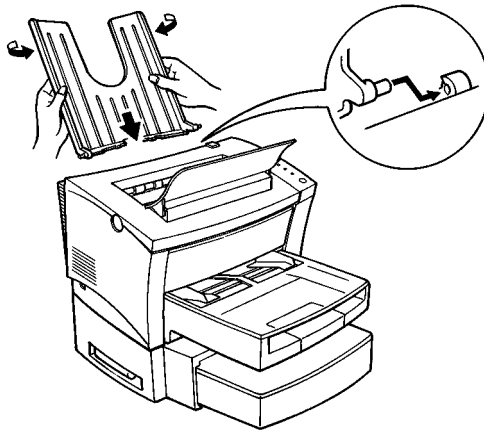
Face-Up Tray

This face-up tray receives printed pages, printed side up, as they are output from the printer. Printed pages are not rolled during the printer's output sequence when this tray is used. For this reason, the face-up tray is recommended for thick paper or envelopes to avoid curling during the feeding process.

The maximum capacity of the face-up tray is 20 sheets.

Installing the face-up tray

1. Remove the face-up tray from its carton as well as its protective plastic bag.
2. Gently bend the output tray inwards, toward the printer, with both hands. Align the insertion pins of the tray with the pin holders of the printer (see illustration).

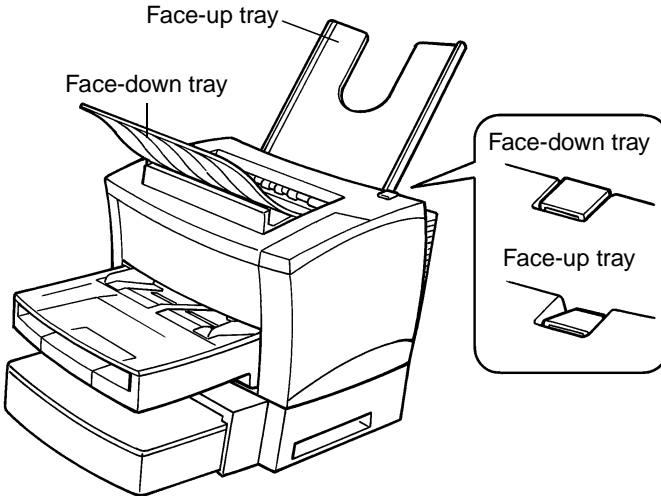


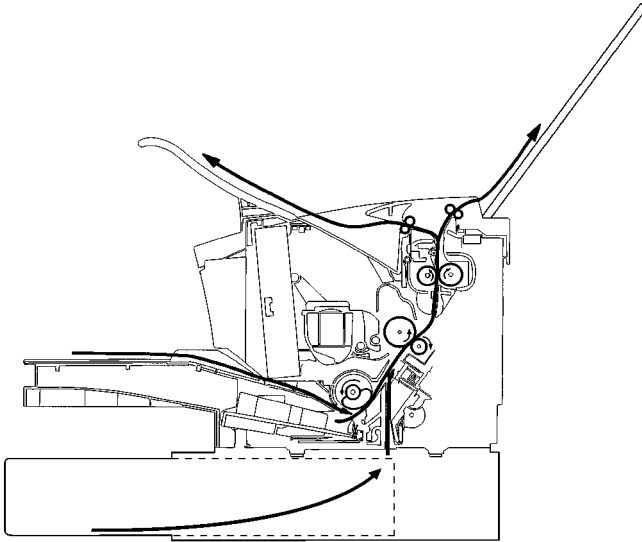
Selecting output direction (printed side up or down)

The face-up tray, as explained earlier in this section is a useful tool for printing on thick paper or envelopes printed side up. The factory default for the output tray however, is the face-down tray (printed side down). In this mode, the output tray receives the printed documents in order.

This setting is controlled by a switch which is located on the right side of the printer toward the rear (see illustration).

1. When the switch is flush with the top of the printer, prints are output printed side down (factory default).
2. When the switch is pressed in, prints are output printed side up.



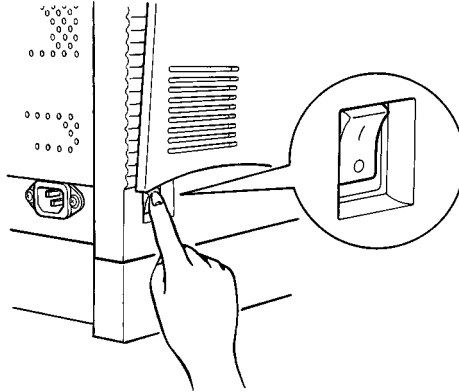


Note

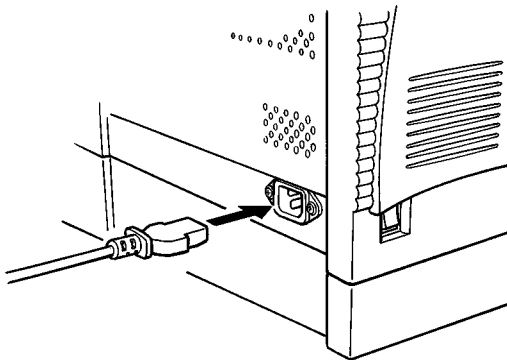
- Do not use the switch to change the setting while the printer is operating.

Connecting the Power Cord

1. Make sure that the printer's power switch is in the ○ (Off) position.

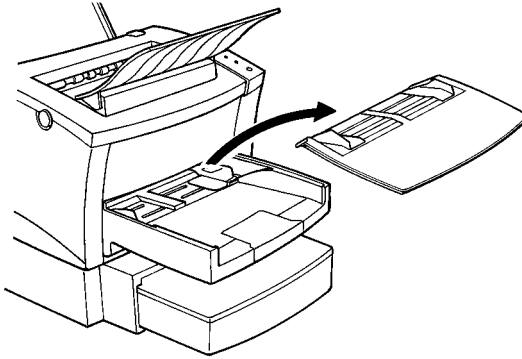


2. Connect one end of the power cord that comes with the printer to the power cord socket. Plug the other end into a power outlet.

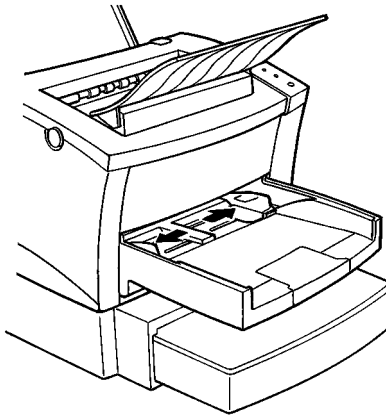


Loading Paper

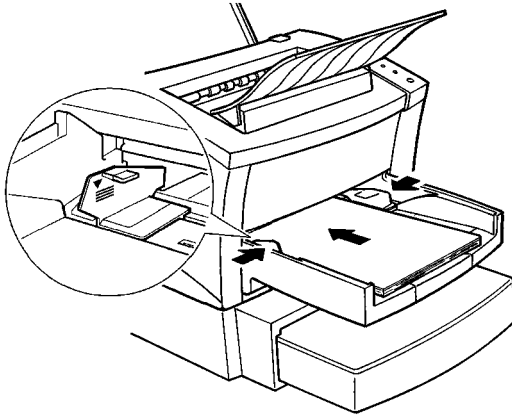
1. Remove the cover from Tray1.



2. Open the paper size guides.



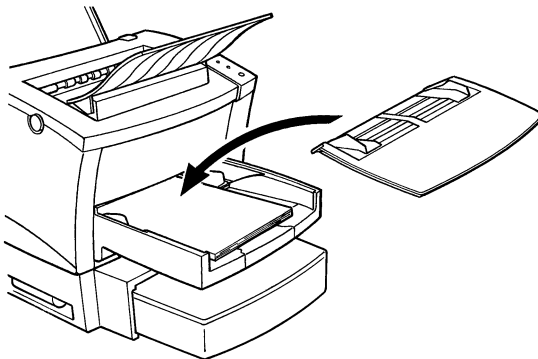
3. Place the paper stack onto the tray, print-side up. Secure the stack by adjusting the paper size guides.



Note

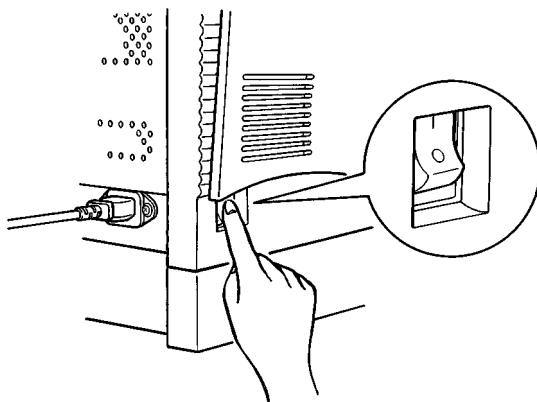
- A maximum level mark on the paper size guide shows how high you can stack paper on Tray 1. Make sure that paper is stacked no higher than this mark.

4. Replace the cover onto Tray 1.



Turning on the Printer

After connecting the printer to a power outlet, press the power switch to turn it on.



Turning on the printer causes all the indicators on the control panel to light, which indicates that the printer is warming up. In about 20 seconds, only the READY indicator remains lit, indicating that the printer is ready to print.

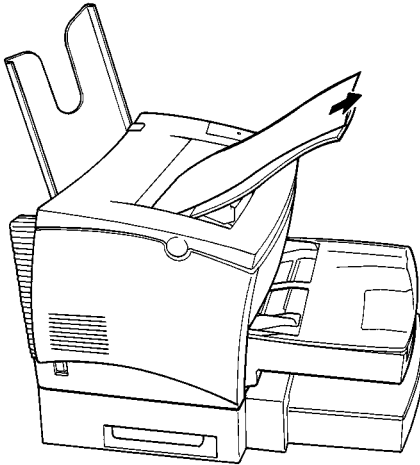
Note

- The printer automatically enters a power saving mode if it receives no print commands for about 15 minutes. Whenever the printer receives a print command while in the power saving mode, it starts to warm up again and takes about 20 seconds before it is ready to print.

Testing the Printer

Before connecting to a computer, perform the following procedure to print a self-test page and see if the printer is working correctly.

1. Place the paper onto Tray1.
2. Make sure that both the PAPER and ERROR indicators are off, and the READY indicator is on. This indicates there is no existing error condition and no data remaining to be printed.
3. Briefly press the panel button to start the self-test page print operation.



Sample Self-Test Page

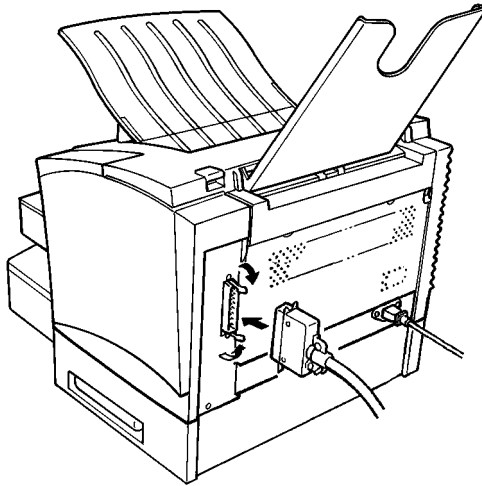
Minolta PagePro 8e Configuration Page
<p>-----Paper Setting-----</p> <p>Copies = 1 Paper Size = Letter Line/Page = 60 Orientation = Portrait Paper Source = Tray1 Auto-Continue = ON Detect Size Error = ON Priority Feed = Tray1 Page Protection = AUTO Power Save = ON Power Save Interval = 15 minutes Tray1 Setting = Multi Size Paper size for Tray1 = Letter Paper Time Out = Proceed</p>
<p>-----Default Font Setting-----</p> <p>Typeface = Courier Symbol Set = ROMAN-8 Font Size: Pitch = 10.00</p>
<p>-----Quality Setting-----</p> <p>Resolution = 600 dpi FineART = MEDIUM Toner Save = OFF</p>
<p>-----Counter-----</p> <p>Total Counter = 95 Counter for Toner Cartridge = 20 Counter for Drum Cartridge = 20 Counter for Tray2 = 53</p>
<p>-----Configuration-----</p> <p>Total Memory = 2048Kbyte Tray2 = Installed Paper Size on Tray2 = A4 Paper on Tray2 = EXIST Network Card = Not Installed Firmware Version = 19971217</p>

Note

- See Chapter 7 of this manual for information on what to do if the self-test page does not print when you press the panel button.
- It is only possible to print the test page on A4-, B5-, Letter- or Executive-size paper.

Connecting to a Computer

1. Make sure that the printer and the computer you are connecting it to are both turned off.
2. Connect one end of the interface cable to the parallel port of the computer.
3. Connect the other end of the cable to the parallel connector on the back of the printer. Secure the cable using the two clips on the parallel connector.



See page 8-4 of this *User's Manual* for cable specifications and pin assignments.

Options

This section describes the optional items that are available for this printer: SIMM(s), Infrared Port, and Network Interface Card.

SIMM (Single In-line Memory Module)

You can avoid many errors caused by data overload by installing sufficient memory into the printer.

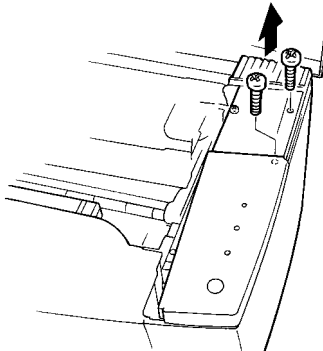
This Printer comes with 2MB of memory. You can increase memory capacity up to 34MB by installing an optional 1, 2, 4, 8, 16 or 32MB optional SIMM.

Installing the optional SIMM

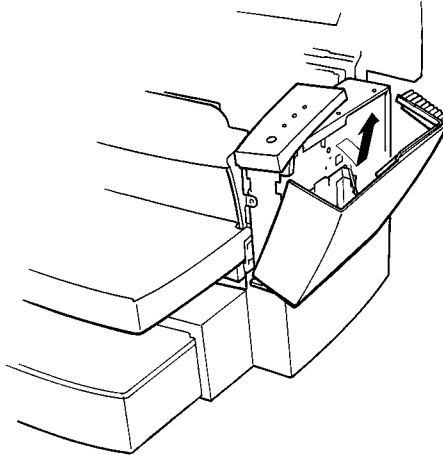
Warning

- Electric shock hazard! Do not remove any cover of the printer that is not directly specified for removal in the User's Manual.

1. Turn off the printer and unplug the power cord.
2. Disconnect the parallel cable from the printer.
3. Press the cover release button and open the top cover.
4. Remove the two screws that hold the side cover of the printer in place with a screwdriver.



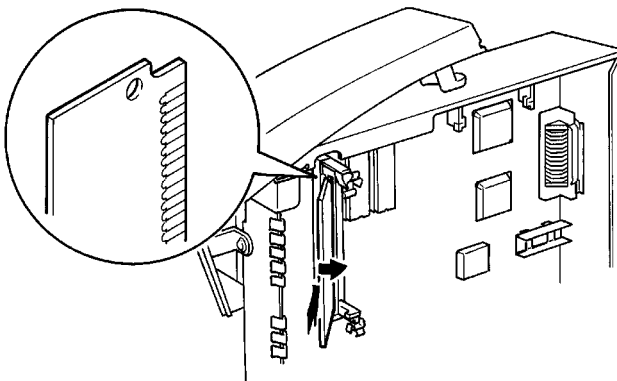
5. Remove the side cover.



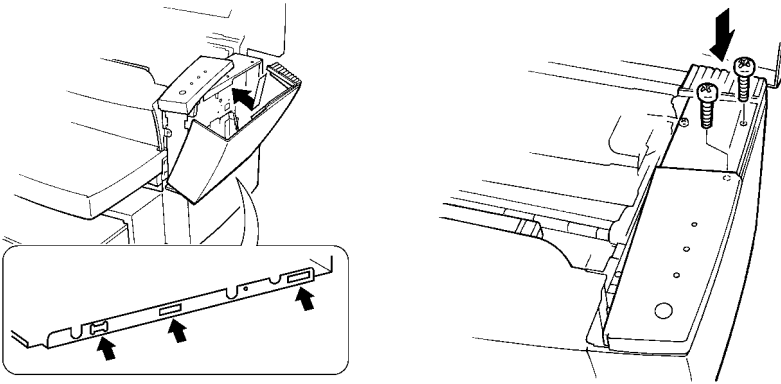
Caution

- Do not touch any part of the main circuit inside the printer.

6. Being careful not to touch the connection points along the edge of the SIMM, insert the board into the socket on the main circuit. Apply pressure until the SIMM locks into place.

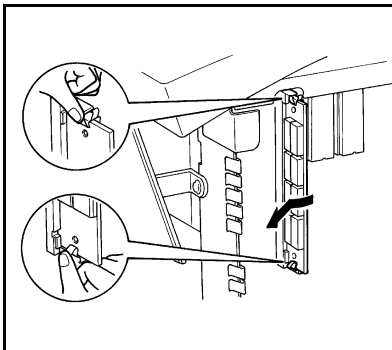


7. Replace the side cover using the two screws provided to secure it in place.



8. Print a self-test page (page 2-19) and check to confirm that the “Total Memory” item correctly shows the increase in memory capacity. If it does not, repeat the above steps making sure that the SIMM is installed correctly.

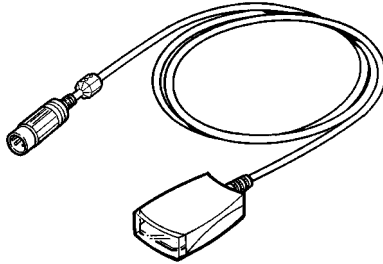
Note



- To remove the SIMM from the main circuit, press down on the metal taps on each side of the socket to release the SIMM.
- Once the SIMM has been installed, be sure to reset the Printer Memory Setting to reflect the new memory capacity.

IrDA Unit

The IrDA unit can be used with a variety of IrDA-compliant portable devices. The unit also comes with a harness and the IrDA controller board. Once these have been connected to the printer's controller board, the IrDA unit is ready for operation.



For instructions on setting-up the IrDA unit, please refer to the Set-Up Instructions that come with the unit.

Using the Infrared Port

The optional infrared port of this printer complies with the specifications stipulated by the Infrared Data Association (IrDA). A status light in front of the infrared unit indicates when the port is active.

The infrared port can be used with a wide variety of IrDA-compliant portable devices. The actual method you should use for printing depends on the type of device and the operating system it uses. Consult the user documentation that comes with the portable equipment for details on printing with it.

The infrared transfers data similarly to a serial port, except it does not use a cable and it operates at speeds of up to 4Mbps per second.

To print with the infrared port

1. Make sure that the printer's READY indicator is lit, which means that the printer is ready to print.
2. Align the laptop computer within two or three feet (one meter), and 30 degrees of the printer's infrared port.

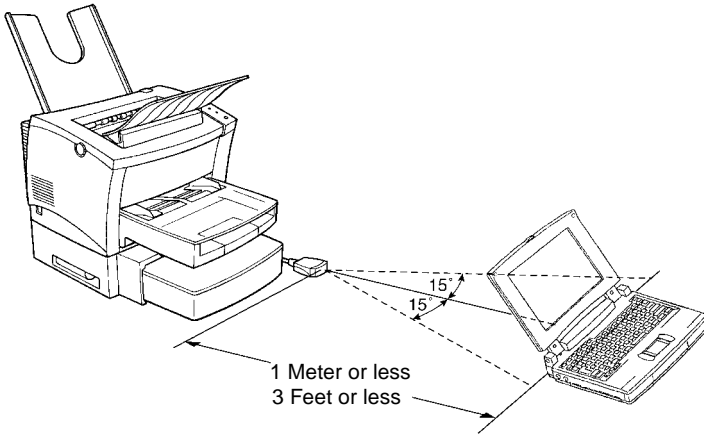
This example will be described using a laptop computer, but any device equipped with an IrDA-compliant infrared port can be used.

3. Perform the necessary procedure on the laptop computer to start sending data through its infrared port and printing.

Note

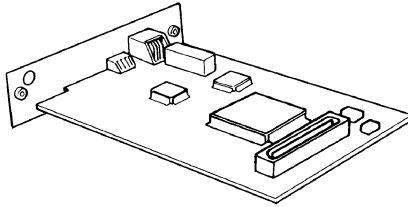
- Once you start printing, the status light above the printer's infrared port will turn on to indicate that data is being received. Printing a very complex document or using a software spooler on the laptop may delay the time it takes for the status light to turn on.
- If the status light fails to come on, try realigning the laptop's port with the printer's port and try printing again.
- If you have to move the printer (to add paper, etc.) or the laptop, make sure you keep the two pieces of equipment close enough to maintain the connection.
- The printer's infrared port status light turns off if the connection is broken before the print job is complete. If this happens, you have anywhere from three to 40 seconds to re-establish the connection (indicated when the status light comes back on) and continue the job.
- Separating the printer and laptop too far or allowing the path between the two pieces of equipment to be broken (by paper, objects, or even direct sunlight) for too long can cause the connection to be broken completely. If this happens, restart the print job.
- When you use this printer with the second paper cassette unit attached, place the laptop computer horizontally across from the printer's infrared port.
- If infrared port printing fails completely, check to make sure that the device you are printing from is IrDA-compliant, that it is installed with proper software, and that its proper port is selected for printing.

- The IrDA standard for infrared communications is an evolving technology, so older non-IrDA-compliant devices may not be compatible with this printer. If you continually have problems printing using the infrared port, contact the manufacturer of the portable device or the retailer from whom you purchased it to verify compatibility with the IrDA standard.



Network Interface Card (NIC)

The network interface card is equipped with a 10BASE-T interface connector for connection to the network server. For details, see the Network Interface Card User's Manual.



Important!

- The NIC 401X is the only network card that is compatible with the PagePro 8e.

Chapter

Using the Printer

3

Printing Paper

Caution

- This printer is designed to print on only the following types of paper.

Type

Paper Feeding Port	Plain Paper weighing: 60 to 90 g/m ² 16 to 24 lbs.	Special Paper						
		Recycled Paper weighing: 60 to 90 g/m ² 16 to 24 lbs.	Transparency Sheet	Labels	Letter-head	Envelopes	J-Post (Post-card) size: 100 × 148 mm 4" × 5-3/4"	Thick Paper* weighing: 90 to 163 g/m ² 24 to 43 lbs.
Tray 1	<input type="radio"/>	<input type="radio"/>	<input type="radio"/>	<input type="radio"/>	<input type="radio"/>	<input type="radio"/>	<input type="radio"/>	<input type="radio"/>
Tray 2	<input type="radio"/>	<input type="radio"/>	<input type="radio"/>	None	None	None	None	None

* Does not support Legal L size Thick Paper.

L: Lengthwise

Size

Standard size

Paper Feeding Port	A4 210 × 297 mm 8-1/4" × 11-3/4"	JIS B5 182 × 257 mm 7-1/4" × 510"	Legal* 216 × 356 mm 8-1/2" × 514"	Letter 216 × 279 mm 8-1/2" × 511"	Executive 184 × 267 mm 7-1/4" × 10-1/2"
Tray 1	<input type="radio"/>	<input type="radio"/>	<input type="radio"/>	<input type="radio"/>	<input type="radio"/>
Tray 2**	<input type="radio"/>	<input type="radio"/>	<input type="radio"/>	<input type="radio"/>	<input type="radio"/>

* Does not support Legal L size Thick Paper

L: Lengthwise

** Each of the five cassettes of Tray2 support one of the five types of paper that are compatible with this printer.

Non-Standard size (Tray 1 only)

Widths from 92 to 216 mm (3-1/2" to 8-1/2"), lengths from 148 to 356 mm (3-1/2" to 14").

Loading Paper

There are three sources that can be used to feed paper into the printer: Tray 1, the manual feed tray, and Tray 2.

Tray 1 is the standard source for supplying paper to the printer. Various types and sizes of paper can be fed from this tray.

You can also add Tray 2 as a secondary paper source. See the section of this *User's Manual* entitled "Second Paper Cassette Unit" for details on using this tray unit.

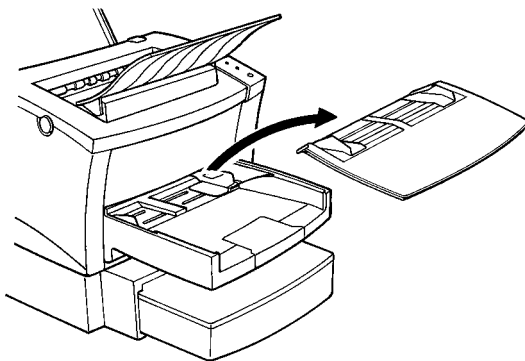
Whenever you are using special size paper, be sure to use the printer driver installed on the computer to specify the printing area. You may experience some variation in print quality when using special size paper.

Always remember that paper storage conditions greatly affect print quality. Store paper in its original package. Keep paper out of areas subject to extreme temperatures or humidity.

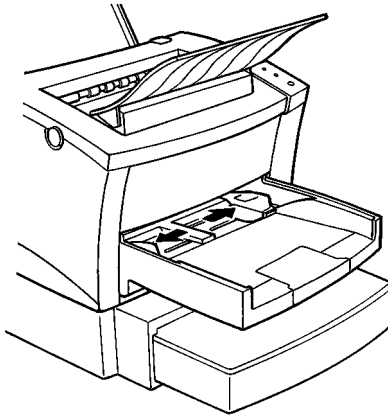
Loading Paper onto Tray 1

You can load up to 150 sheets of standard paper onto Tray 1. See page 3-1 for details on paper sizes and types.

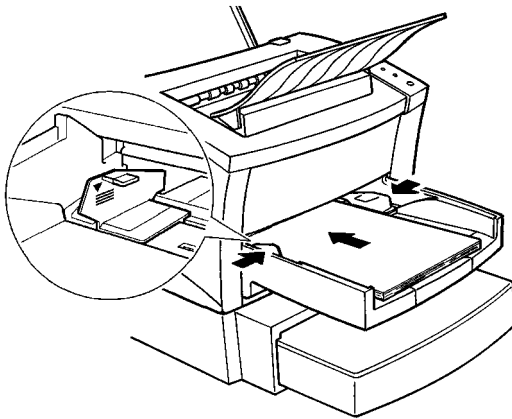
1. Remove the tray cover from Tray 1.



2. Open the paper size guides.



3. Place a stack of paper in the center of Tray1. Adjust the paper size guides so that both the left and the right sides of the paper stack are secure.

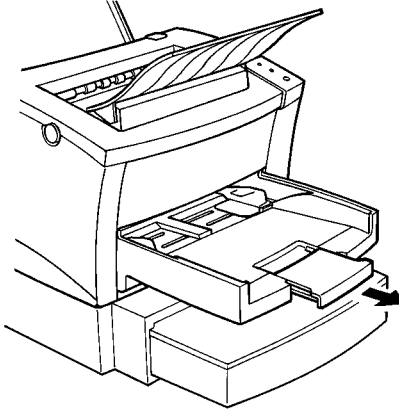


Note

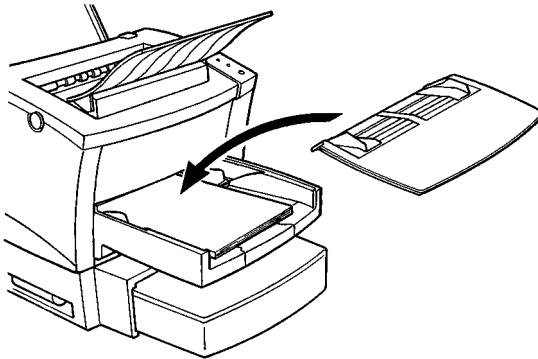
- A maximum level mark on the paper size guide shows how high you can stack paper on Tray 1. Make sure that paper is stacked no higher than this mark.

Note

- Do not load additional paper until the paper currently loaded onto Tray 1 is completely used.
- Never load paper while the printer is performing a reset operation (page 1-7).
- Pull out the paper support in Tray 1 when printing on A4 size paper.



4. Replace the tray cover on Tray 1.

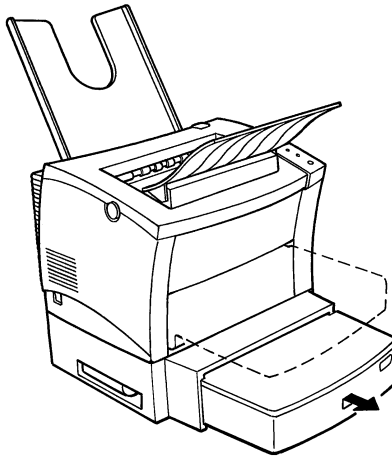


Loading Paper onto Tray 2

Note

- Make sure that the Tray 2 cassette for the proper size of paper to be used for printing has been installed into the second paper cassette unit. For instructions on inserting (and removing) the Tray 2 cassette into (and from) the second paper cassette unit, refer to Chapter 2.

1. Slide Tray 2 out of the second paper cassette unit as illustrated.

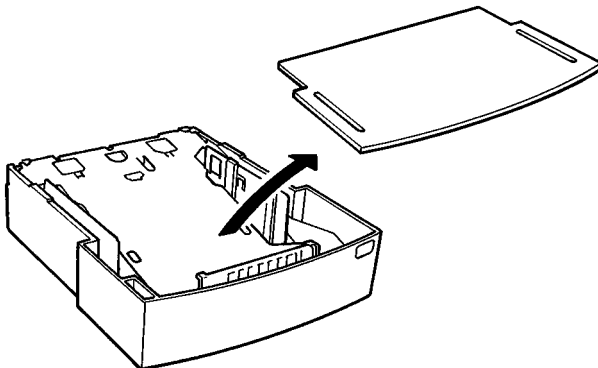


Note

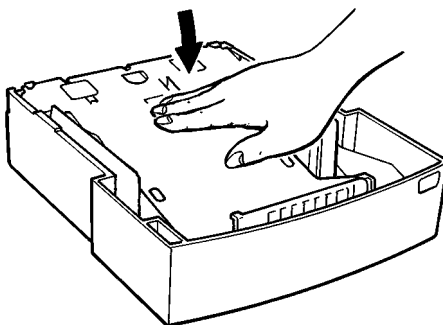
- The cassette is designed to remain in the unit during the normal loading and operation of the printer. To remove Tray 2 from the unit, pull it out as far as it will go without force. Then gently raise the forward-end up, and remove Tray 2 from the unit.

Loading Paper

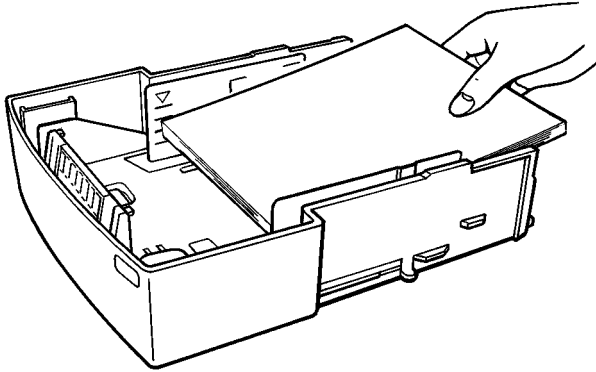
2. Remove the cover of the cassette from Tray 2.



3. Press down on the paper lifting plate located inside of Tray 2 until it locks.

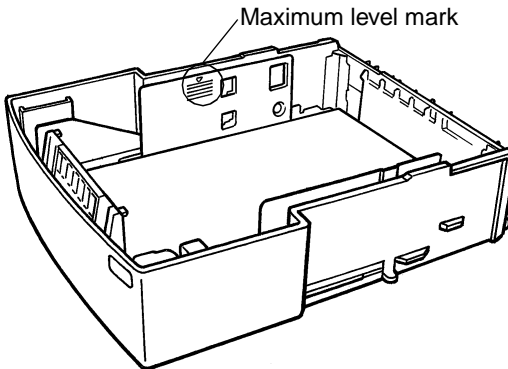


4. Place a stack of up to 500 sheets of paper into Tray 2 so that the side that was facing up when the paper was unwrapped is still facing up.



Note

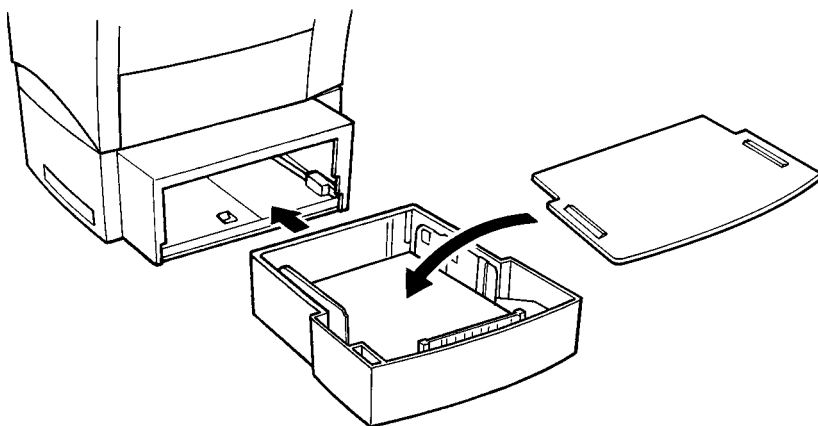
- A maximum level mark inside the inlet of Tray 2 shows how high you can stack paper on Tray 2. Make sure that paper is stacked no higher than this mark.



- Tray 2 does not support landscape oriented paper feeding.
- Do not load additional paper until all the paper currently on Tray 2 is completely used up.

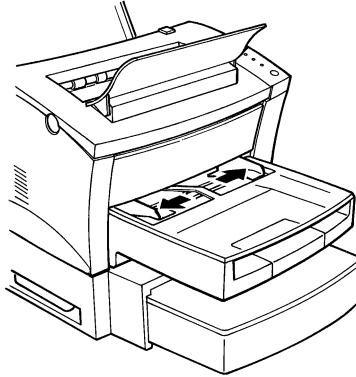
Loading Paper

5. Replace the cassette cover and insert Tray 2 into the second paper cassette unit.

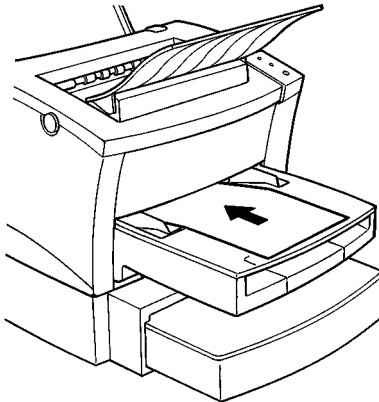


Manual Paper Feed

1. Make sure that the tray cover is properly attached to Tray1.
2. Open the paper size guides.

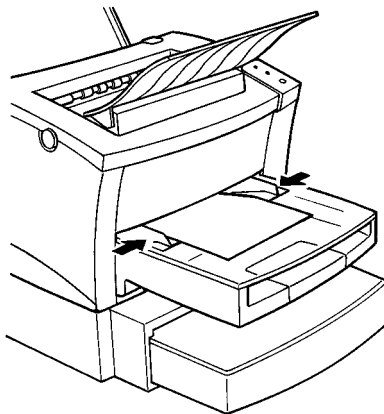


3. Insert the sheet of paper into the manual feed tray with the side to be printed facing up.



Loading Paper

4. Adjust the paper size guides so that both sides of the paper are secure.



Note

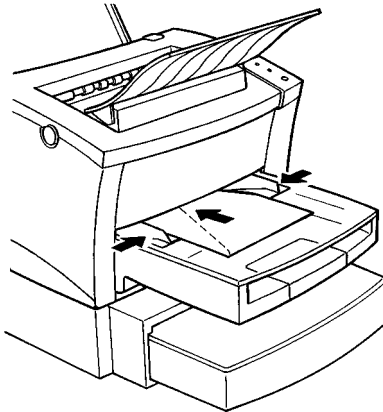
- Insert only one sheet of paper or one envelope at a time when feeding manually.

Printing on Envelopes

The manual feed tray supports feeds of Commercial 10, Monarch, DL, C5, and B5 envelopes.

Manually feed envelopes one by one into the manual feed tray.

1. Place the envelope with the side to be printed facing up on the tray. The flap of the envelope should be facing down and to the left.
2. Make sure that the envelope is placed in the center of the tray and that it is secured by the paper size guides.



Note

- Because there is great variation in the quality of paper used for envelopes, we suggest that you produce test prints of various types before purchasing any envelope in large quantities for use with this printer.

Note the following points whenever printing on envelopes.

- Make sure that all edges are creased sharply and that all flaps are folded correctly.
- Do not use envelopes that are self-adhesive. Use only envelopes that have standard sealing that sticks after it is moistened.

Loading Paper

- Use envelopes of which flaps run the entire length of the envelope. Envelopes that seal at one end will not feed properly.
- Do not use envelopes that have a window. Such envelopes can seriously damage the printer.
- Do not use envelopes that are wrinkled.
- Never use envelopes that have clasps or any other type of fastener that can damage the printer.
- Do not store envelopes in an area that is subject to high humidity.

Chapter

Printer Driver

4

Introduction

The Minolta PagePro 8e Printer Driver was specially developed to provide true Windows based and DOS printing for users of the Minolta PagePro 8e printer. The PagePro 8e Printer Driver consists of two programs: the Minolta PagePro Driver and a Printer Status Display.

Important!

- The printer driver for your PagePro 8e is located on the CD-ROM that comes with your printer. If your computer is not equipped with a CD-ROM drive, refer to page 4-83 which explains how to copy the printer driver from the CD-ROM to a floppy diskette, or contact your local MINOLTA-partner (see pages 10 and 11 in chapter General Information).

For Middle East and African countries only

- If you do not have a CD-ROM drive, or you do not have the possibility to utilise a CD-ROM drive at all, please refer to the Internet Homepage of Minolta <http://www.service.minolta.de>, or contact your local distributor/dealer to get your dedicated printer driver.

System Requirements

The following describes the minimum system requirements that are necessary to correctly run the Minolta PagePro 8e Printer Driver.

Operating System: Microsoft Windows 95, Windows 3.1, Windows NT4.0 or DOS

Personal Computer: IBM-compatible PC with at least a 386DX 16MHz CPU (Pentium processor recommended)

1.44MB 3.5-inch floppy disk drive

CD-ROM drive

I/O Interface: Standard PC parallel printer port and cable

Memory: At least 8MB of PC RAM

Free Disk Space: Approximately 20MB for files

Note

- Use of a poor quality parallel cable may adversely affect input.

Installing the PagePro 8e Printer Driver Under Windows 95

This section provides information on installing the PagePro 8e Printer Driver under Windows 95. It also tells you how to uninstall the PagePro 8e Printer Driver when necessary.

Note

- When an IEEE 1284 connector is used to connect the computer to the printer, it is necessary to remove any other printer drivers or printer utilities from your hard disk before installing the PagePro 8e Printer Driver.

Installing the Pagepro 8e Printer Driver

1. Turn on your computer and start up Windows 95.
2. Insert the **Minolta PagePro** CD-ROM into your computer's CD-ROM drive.
3. The opening screen automatically appears on the screen. Follow the instructions that appear on your computer screen to complete the installation.

Note

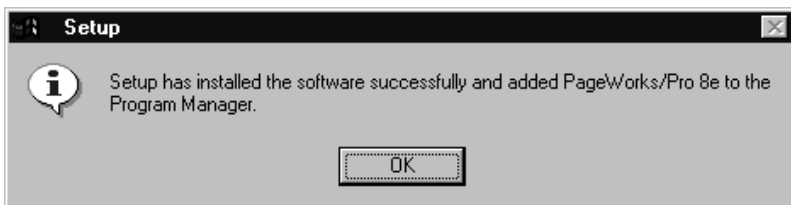
- The configuration of some computers may prevent the above screen from appearing automatically. If the screen does not appear, double-click **pagepro.exe** from the CD-ROM.

Important!

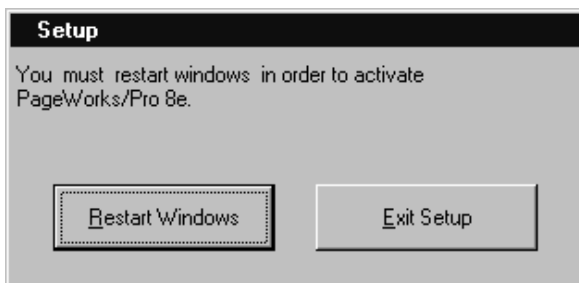
- Installing the PagePro 8e Printer Driver alters the Windows SYSTEM.INI and WIN.INI files, and backs up their previous (pre-installation) versions under the names SYSTEM.001 and WIN.001.

Installing the PagePro 8e Printer Driver Under Windows 95

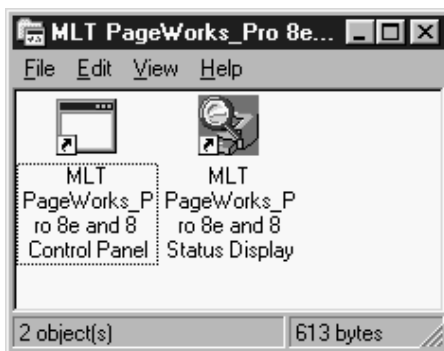
- When a dialog informing you that installation is complete appears on your computer screen, click **OK**.



- In the next dialog that appears, click the **Restart Windows** button to restart Windows.

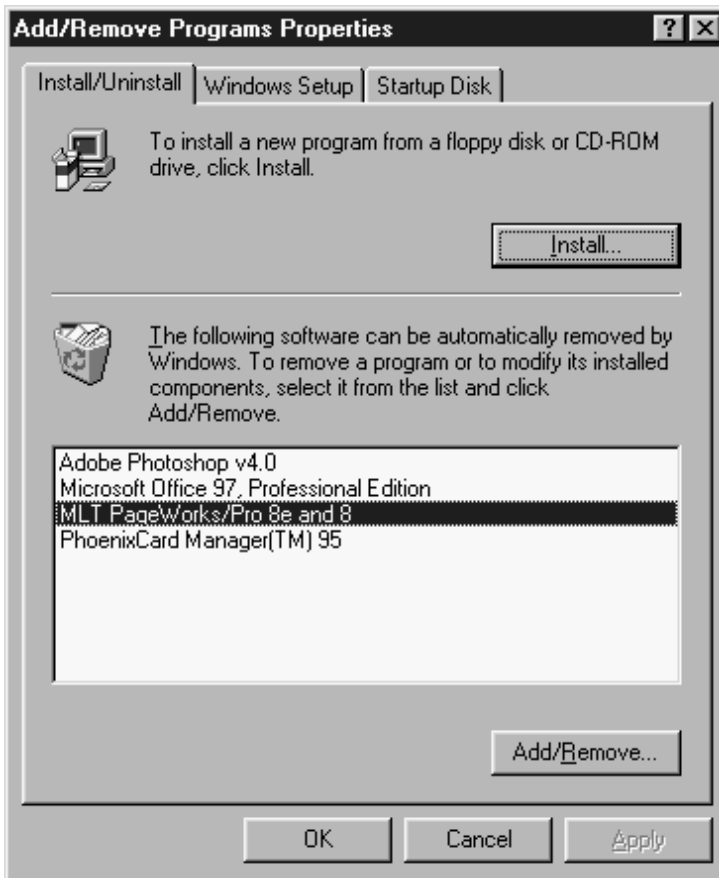


- After Windows restarts, the **MLT PageWorks_Pro 8e and 8 Tools** dialog appears on your computer screen.



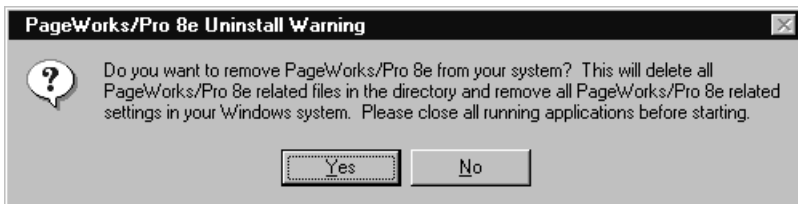
To uninstall the PagePro 8e Printer Driver

1. Click the **Start** button, point to **settings**, and then click **Control Panel**.
2. Double-click **Add/Remove Programs** to open the Add/Remove programs Properties window.
3. Select **MLT PageWorks/Pro 8e and 8** from the list and click **Add/Remove**.



Installing the PagePro 8e Printer Driver Under Windows 95

4. In response to the warning dialog that appears, click **Yes** to proceed with the uninstall operation or **No** to abort.



5. Click **OK**.



Displaying the PagePro 8e Driver Setup Dialog

Use the following procedure to display the PagePro 8e driver setup dialog under Windows 95.

To display the PagePro 8e driver setup dialog

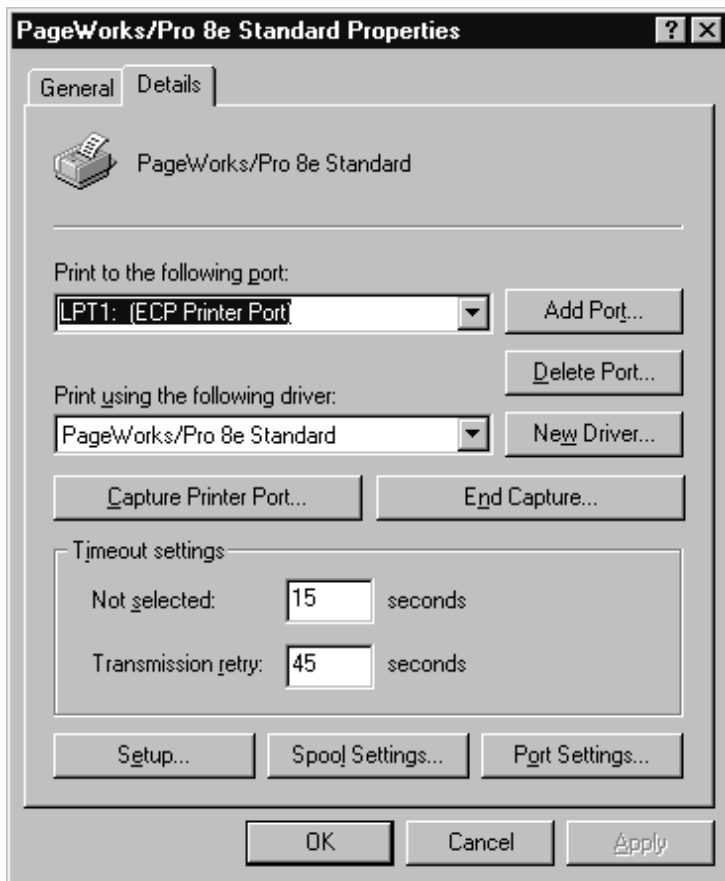
1. On your computer, click **Start**, point to **Settings**, and then click **Printers** to display the Printers dialog.
2. On the Printers dialog, click either the **PagePro 8e Standard** or **Pagepro 8e Enhanced** icon to select it.
 - PagePro 8e Standard is fully compatible with PCL-5e. If you want output that is identical to that produced on a PCL-5e printer, select this driver.
 - PagePro 8e Enhanced has a number of additional features not available on the Standard version. Use of this driver is recommended.



3. On the Printers dialog's **File** menu, click **Properties**.

Installing the PagePro 8e Printer Driver Under Windows 95

- This opens the Properties dialog for the PagePro 8e driver version you selected.
4. On the **Details** tab of the Properties dialog, click the **Setup** button to display the PagePro 8e driver setup dialog.



5. Use the procedures under “*Using the PagePro 8e Driver Setup Dialog*” on page 4-44 to make PagePro 8e driver settings.

Installing the PagePro 8e Printer Driver Under Windows 3.1

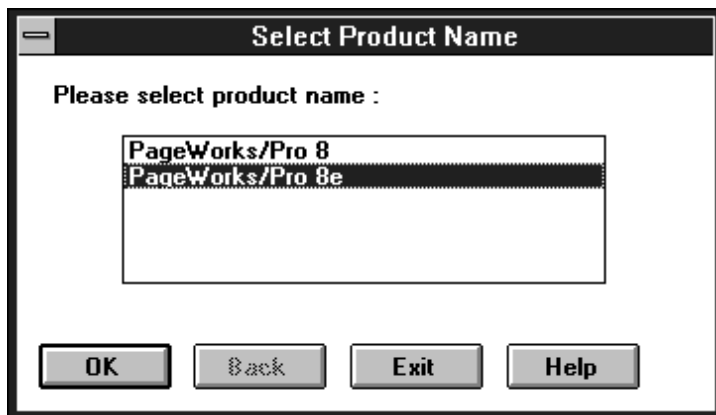
This section provides information on installing the PagePro 8e Printer Driver under Windows 3.1. It also tells you how to uninstall PagePro 8e Printer Driver when necessary.

To install the PagePro 8e Printer Driver

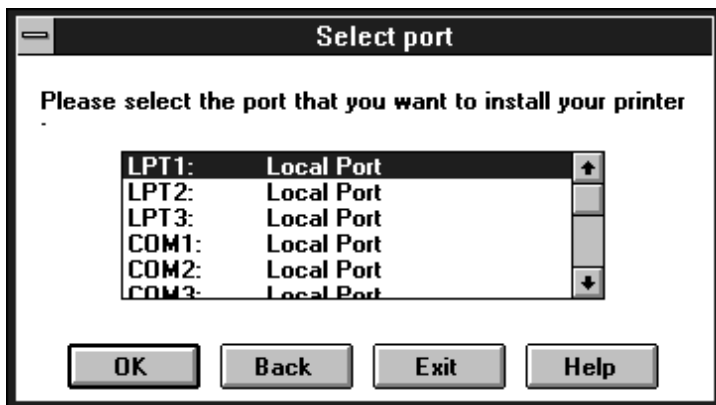
1. Turn on your computer and start up Windows 3.1.
2. Double-click the **File Manager** icon, which is located in the **Main** group within the **Program Manager**.
3. Insert the **Minolta PagePro** CD-ROM into your computer's CD-ROM drive.
 - In this example, we assume that **D:** is the name of the CD-ROM drive.
4. Use File Manager to display the contents of the CD-ROM.
5. Double-click **D:\drivers\pp8e\win311\gb\pcl\drv\wssetup.exe**.
6. Follow the instructions that appear on your computer screen.

Installing the PagePro 8e Printer Driver Under Windows 3.1

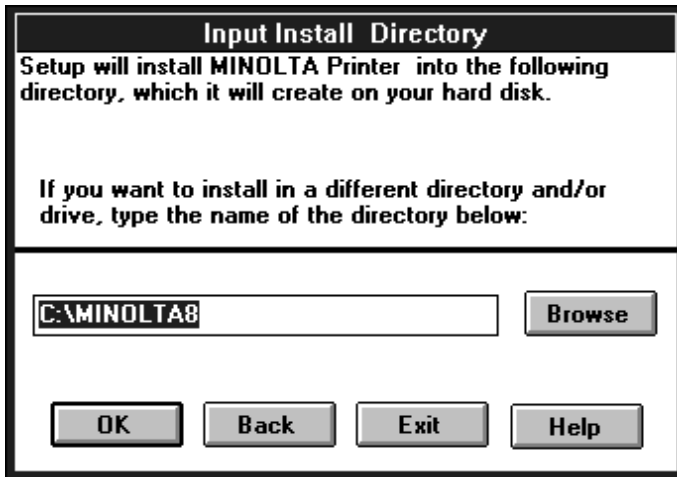
7. In the **Select Product Name** dialog that appears, select **PageWorks/Pro 8e**, and then click **OK**.



8. In the **Select port** dialog that appears, select the name of the port to which the printer is connected, and then click **OK**.



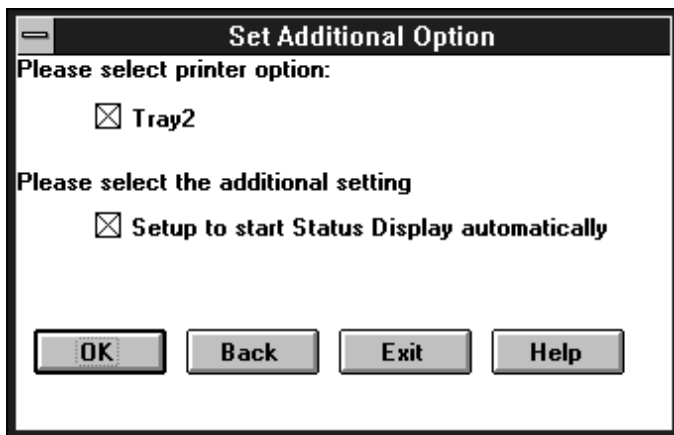
9. In the **Input Install Directory** dialog that appears, specify the directory where you want the PagePro 8e Printer Driver installed, and then click **OK**.
 - The installation program automatically specifies a default directory of **C:\MINOLTA8**. If you want to leave the default directory as it is, simply click **OK**.



10. In the **Set Additional Option** dialog that appears, click the checkboxes next to the options you want to select in accordance with your printer's configuration, and then click **OK**.

Installing the PagePro 8e Printer Driver Under Windows 3.1

- This starts the actual installation procedure.



Important!

- Installing the PagePro 8e Printer Driver alters the Windows SYSTEM.INI and WIN.INI files, and backs up their previous (pre-installation) versions under the names SYSTEM.001 and WIN.001.

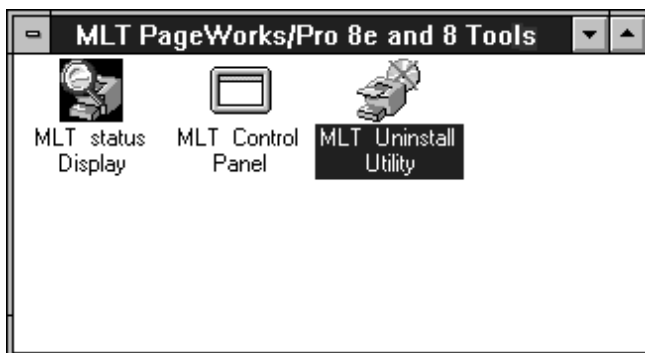
11. When a dialog informing you that installation is complete appears on your computer screen, click **OK**.



12. In the next dialog that appears, click the **Restart Windows** button to restart Windows.

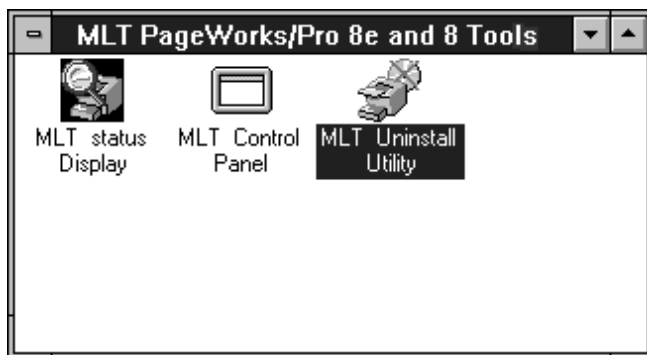


13. After Windows restarts, the **MLT PageWorks/Pro 8e and 8 Tools** dialog appears on your computer screen.



To uninstall the PagePro 8e Printer Driver

1. Double-click the **MLT Uninstall Utility** icon of the **MLT PageWorks/Pro 8e and 8 Tools** dialog box.



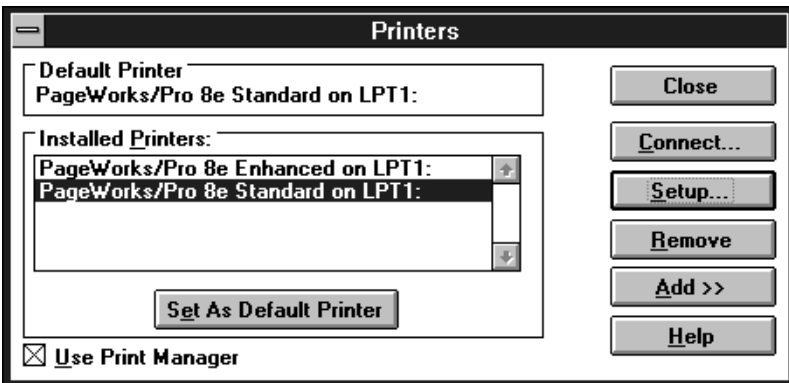
2. In response to the warning dialog that appears, click **Yes** to proceed with the uninstall operation or **No** to abort.

Displaying the PagePro 8e Driver Setup Dialog

Use the following procedure to display the PagePro 8e driver setup dialog under Windows 3.1.

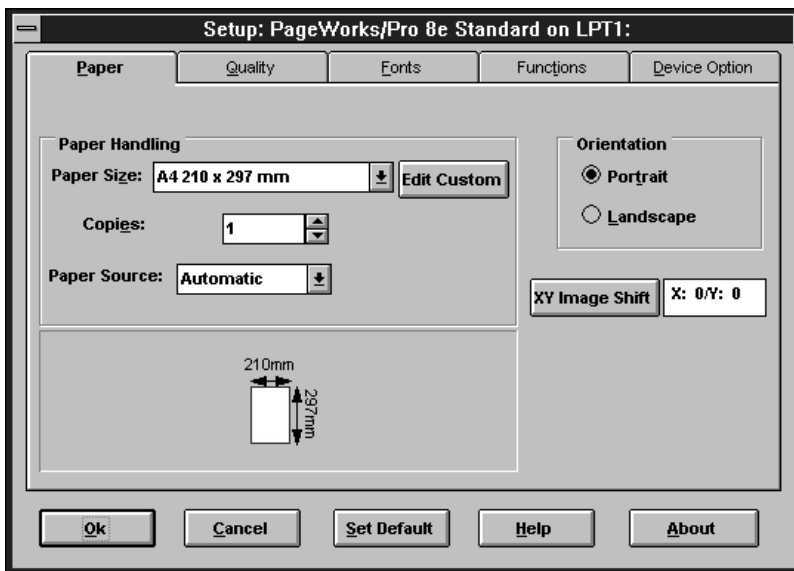
To display the PagePro 8e driver setup dialog

1. Double-click the **Control Panel** icon, which is located in the **Main** group within the **Program Manager**.
2. In the **Control Panel** dialog, double-click **Printers**.
3. In the **Installed Printers** list, click either the **PagePro 8e Standard** or **PagePro 8e Enhanced** icon to select it.
 - PagePro 8e Standard is fully compatible with PCL-5e. If you want output that is identical to that produced on a PCL-5e printer, select this driver.
 - PagePro 8e Enhanced has a number of additional features not available on the Standard version. Use of this driver is recommended.



Installing the PagePro 8e Printer Driver Under Windows 3.1

4. Click **Setup**, which displays the Setup dialog for the printer version you selected.
5. Use the procedures under “Using the PagePro 8e Driver Setup Dialog” on page 4-44 to make PagePro 8e driver settings.



Installing the Printer Driver Under Windows NT4.0

This section provides information on installing the printer driver on a computer running Windows NT4.0. It also tells you how to uninstall the printer driver when necessary.

To install the PagePro 8e Printer Driver

1. Turn on your computer and start up Windows NT4.0.
2. Insert the **Minolta PagePro** CD-ROM into your computer's CD-ROM drive, and then click **OK**.
3. The opening screen automatically appears on the screen. Follow the instructions that appear on your computer screen to complete the installation.

Note

- The configuration of some computers may prevent the above screen from appearing automatically. If the screen does not appear, double-click **pagepro.exe** from the CD-ROM.

4. Double-click the **Add Printer** icon.



5. Select **My Computer** if the printer is connected directly to your computer's parallel port (LPT) or network port (LPR). Select **Network printer server** if your computer accesses the printer through a network print server.
6. What you should do next depends on how your printer is connected to your computer.
 - Printer connected directly to parallel port (LPT): See "Direct Connection to Parallel Port (LPT)" below.
 - Printer connected directly to network port (LPR): See "Direct Connection to Network Port (LPR)" on page 4-25.
 - Computer accesses printer through network print server: See "Printer Access through a Network Print Server" on page 4-32.

Direct Connection to Parallel Port (LPT)

Continue with the following steps from the basic installation procedure started above.

7. Click **Next>**.

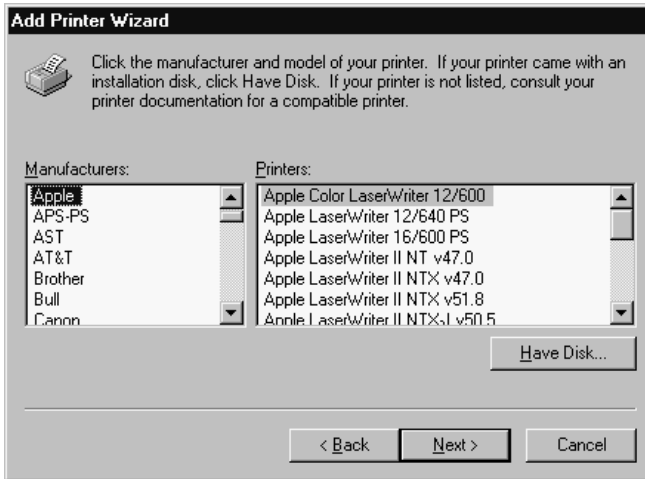


8. Specify the ports you want to use and then click **Next>**.

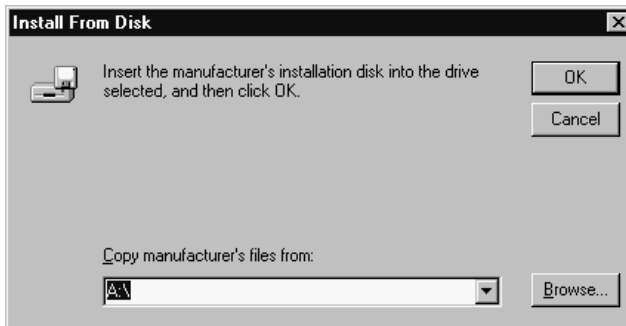


Installing the Printer Driver Under Windows NT4.0

9. Click **Have Disk**.

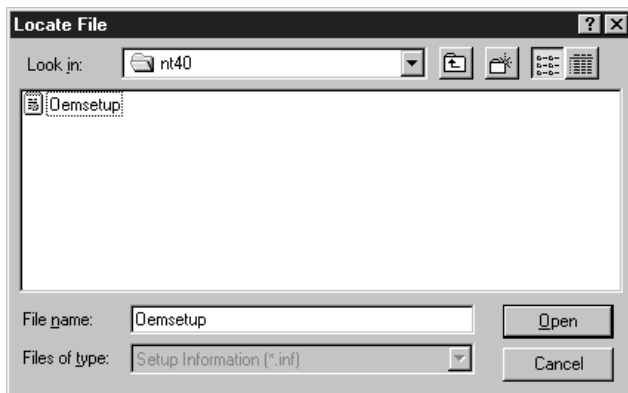


10. Select the drive where you inserted the CD-ROM with the Minolta PagePro 8e Printer Driver (in our example we used drive D:), and then click **Browse**.

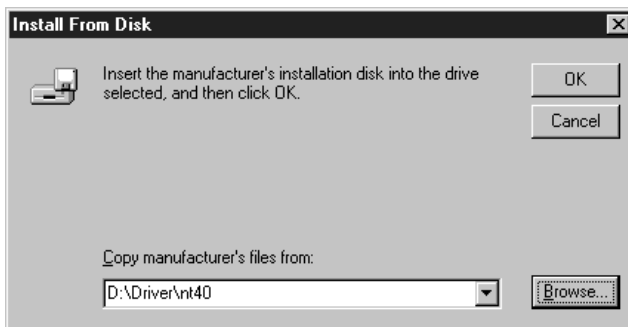


11. Select the folder which is proposed by the **MINOLTA Printer Driver Installation** program and then click **Open**.

12. The path shown below is an example only. Select the file named **Oemsetup** and click **Open**.



13. Click **OK**.



Installing the Printer Driver Under Windows NT4.0

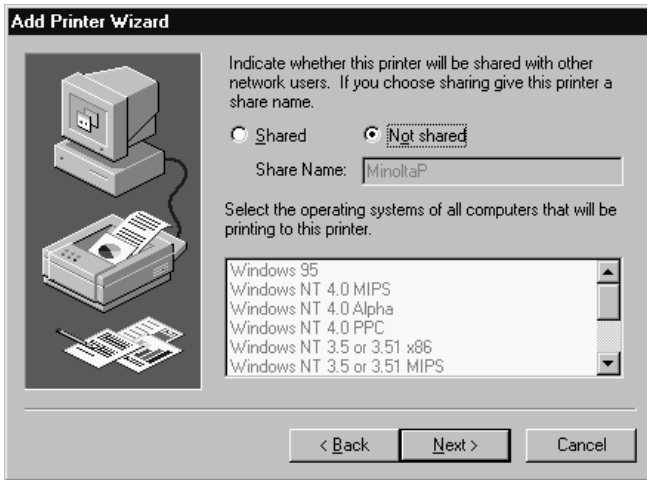
14. In the **Printers:** list select **Minolta PageWorks/Pro 8e** and then click **Next>**.



15. If you want to assign a different name to the printer, type the name you want to use into the text box. When the name is as you want it, click **Next>**.



16. Specify whether or not other users will be sharing the printer, and then click **Next>**.



17. Specify whether or not you want to print a test page and then click **Finish** to start actual installation.



Installing the Printer Driver Under Windows NT4.0

- Printing of a test page is recommended in order to make sure that the printer driver is installed correctly.
- The **Printers** window with the **Minolta PageWorks/Pro 8e** icon appears on your computer screen when installation is complete.



- A page is also produced on the printer if you selected **Yes** in step 17, above.

Direct Connection to Network Port (LPR)

The following describes Minolta PagePro 8e Printer Driver installation when the printer has an optional network interface card and is connected directly to your computer's network port (LPR).

- If the printer is connected directly to your computer's parallel port (LPT), see "Direct Connection to Parallel Port (LPT)" on page 4-19.
- If your computer accesses the printer through a network print server, see "Printer Access through a Network Print Server" on page 4-32.

Important!

- | |
|---|
| <ul style="list-style-type: none">• If your printer is part of a network, be sure to contact your system administrator before trying to install any software. You should also refer to the documentation that comes with the printer's optional network interface card. |
|---|

Continue with the following steps from the basic installation procedure started under "Installing the Printer Driver Under Windows NT4.0" on page 4-17.

Installing the Printer Driver Under Windows NT4.0

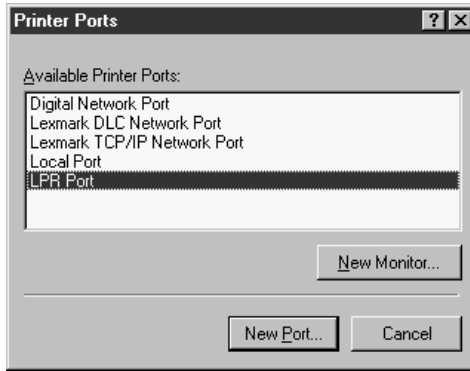
7. Click **Next>**.



8. Click **Add Port**.

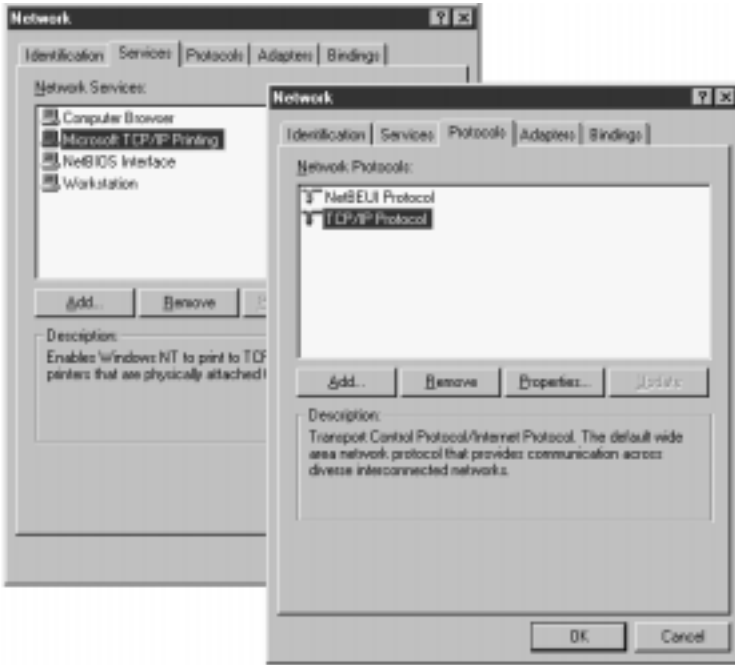


9. Select **LPR Port** and then click the **New Port** button.



Important!

- You will not be able to select **LPR Port** unless the following two settings are in effect in the **Control Panel Network** applet.
- Protocol: TCP/IP Protocol
- Services: TCP/IP Print



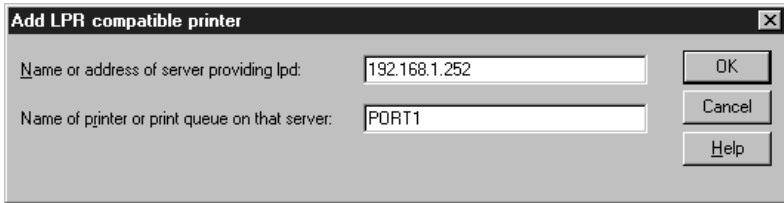
- If you have a problem selecting **LPR Port**, change these settings as shown above.

10. In **Name or address of host providing lpd**, type in the printer IP address that was assigned when the network interface card was installed. In **Name of printer on that machine**, type in **PORT1**.

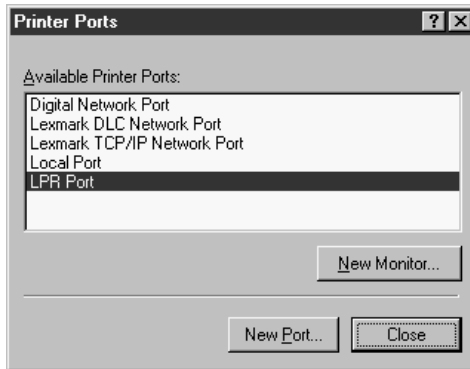
Important!

- The IP address shown below is an example only. Be sure to check with the network administrator for the IP address that you need to use.
- Be sure to use only **PORT1** in **Name of printer or print queue on that server**. You will not be able to print if you use another name here.

After everything is the way you want it, click **OK**.

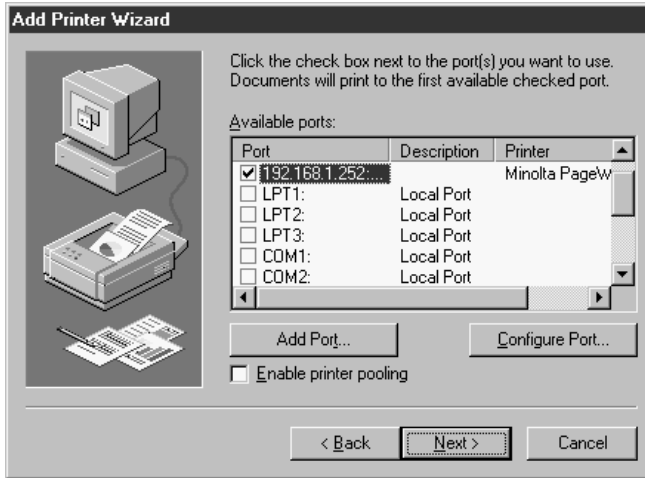


11. In the Printer Port dialog, click **Close**.



Installing the Printer Driver Under Windows NT4.0

12. After checking once more that the IP address you input in step 10 above is correct, then click **Next>**.



13. Click **Have Disk**.



14. From here, proceed from step 10 under the procedures titled “Direct Connection to Parallel Port (LPT)” on page 4-20.

- The **Printers** window with the **Minolta PageWorks/Pro 8e** icon appears on your computer screen when installation is complete.



Printer Access through a Network Print Server

The following describes Minolta PagePro 8e Printer Driver installation when the printer has an optional network interface card and is accessed by your computer through a network print server.

- If the printer is connected directly to your computer's parallel port (LPT), see "Direct Connection to Parallel Port (LPT)" on page 4-19.
- If the printer is connected directly to your computer's network port (LPR), see "Direct Connection to Network Port (LPR)" on page 4-25.

Important!

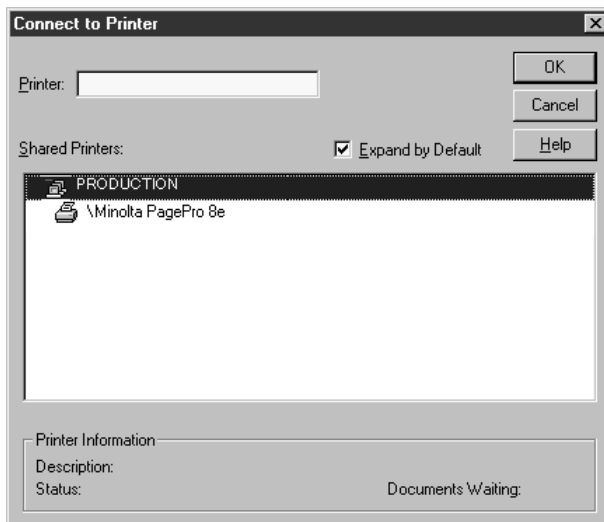
- If your printer is part of a network, be sure to contact your system administrator before trying to install any software. You should also refer to the documentation that comes with the printer's optional network interface card.
- If your print server is using Windows NT4.0, be sure to change the specification for the driver providing lpr printing to **PagePro 8e** on the print server.

Continue with the following steps from the basic installation procedure started under "Installing the Printer Driver Under Windows NT4.0" on page 4-17.

7. Click **Next>**.

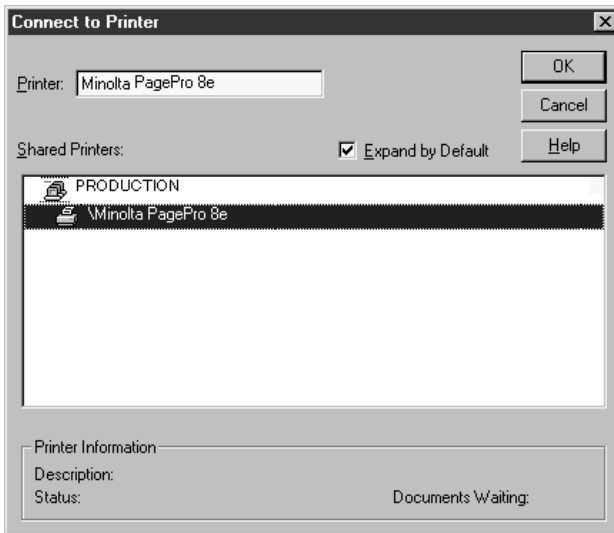


8. From the **Shared Printers** list, click the name of the print server to which your computer is connected.



Installing the Printer Driver Under Windows NT4.0

9. In the list of devices connected to the server that appears, click the name of the printer you want to use and then click **OK**.



10. Specify whether or not you want to make this printer the default printer, and then click **Next>**.



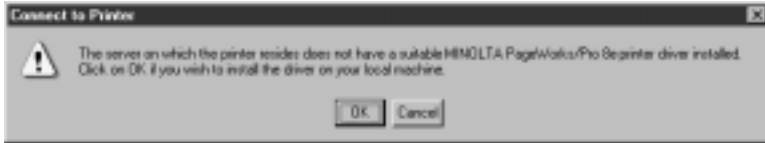
11. In the dialog that appears, click **Finish**.



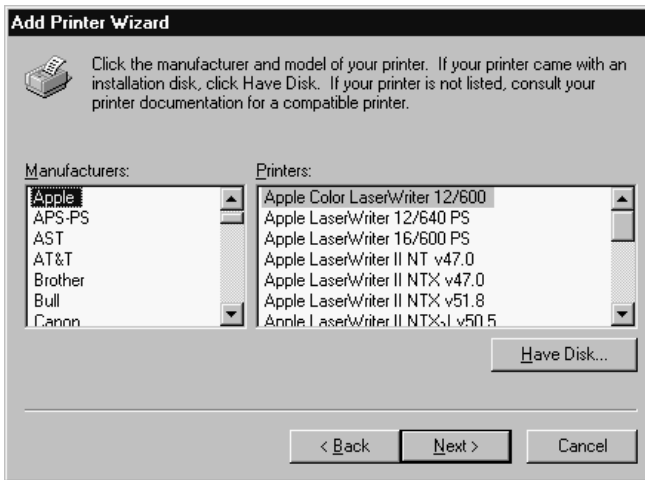
Installing the Printer Driver Under Windows NT4.0

Important!

If the message shown below appears, click **OK** and proceed with the installation.



Click the **Have Disk** button.



Now you should continue from step 10 of the procedure under “Direct Connection to Parallel Port (LPT)”, on page 4-19.

- The **Printers** window with the **Minolta PageWorks/Pro 8e** icon appears on your computer screen when installation is complete.



12. After installation is complete, check the printer driver on the server.
 - Click the **Minolta PageWorks/Pro 8e** icon in the **Printers** window to select it. Then on the **File** menu, click **Properties** to display the properties of the driver. Confirm that the printer driver name **Minolta PageWorks/Pro 8e** is shown in the **Driver** box of the **General** tab of the **Properties** window.

Installing the Printer Driver Under Windows NT4.0

Important!

- If any other printer driver name besides **Minolta PageWorks/Pro 8e** is shown in the **Driver** box of the **General** tab of the **Properties** window, contact your system administrator and have the printer driver name changed to **Minolta PageWorks/Pro 8e**.

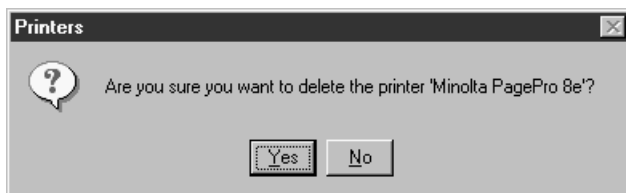


To uninstall the PagePro 8e Printer Driver

1. Click the **Start** button, point to **Settings**, and then click **Printers**.
2. Click **Minolta PageWorks/Pro 8e** and select **Delete** from the **File** menu.

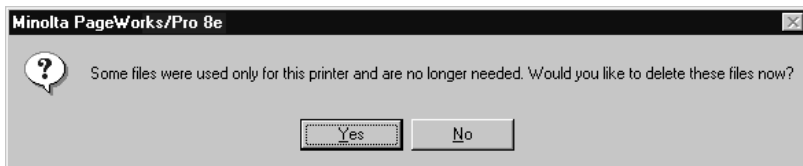


3. Click **Yes** to remove the printer driver.



Installing the Printer Driver Under Windows NT4.0

4. Click **Yes** to delete all files related to the **Minolta PageWorks/Pro 8e** printer driver.



Displaying the PagePro 8e Driver Setup Dialog

Use the following procedure to display the PagePro 8e driver setup dialog under Windows NT4.0.

To display the PagePro 8e driver setup dialog

1. On your computer, click **Start**, point to **Settings**, and then click **Printers** to display the Printers dialog.
2. In the Printers dialog, click the **PageWorks/Pro 8e** icon to select it.



3. In the Printers dialog's **File** menu, click **Properties**.

Installing the Printer Driver Under Windows NT4.0

4. On the **Details** tab of the Properties dialog, click the **Setup** button to display the PagePro 8e driver setup dialog.



5. Use the procedure under “*Using the PagePro 8e Driver Setup Dialog*” on page 4-44 to make PagePro 8e driver settings.

Using the Minolta PagePro 8e Printer Driver Under Windows

The Minolta PagePro 8e printer driver lets you control a number of printer parameters from your computer. The following describes how to use the PagePro 8e driver under Windows 95 and Window 3.1, and provides brief explanations on the settings you can make. See the printer driver's on-line help for full details about each setting.

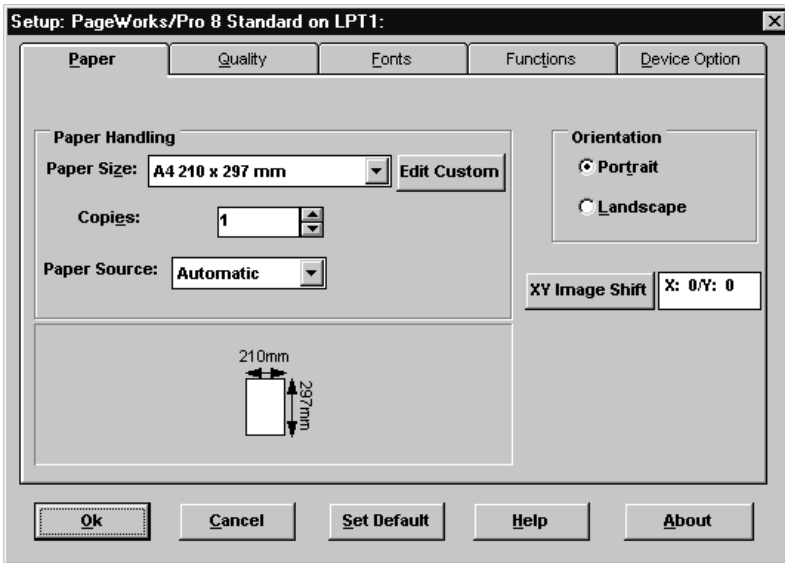
- See the following sections for details on starting up the PagePro driver.

Windows 95 ... See “*Displaying the PagePro 8e Driver Setup Dialog*” on page 4-7.

Windows 3.1 ... See “*Displaying the PagePro 8e Driver Setup Dialog*” on page 4-15.

Windows NT4.0... See “*Displaying the PagePro 8e Driver Setup Dialog*” on page 4-41.

Using the PagePro 8e Driver Setup Dialog



The PagePro 8e driver setup dialog consists of a number of tabs. Click on a tab and then make the settings for the items contained on the tab.

The following shows the contents of each of the tabs and provides brief explanations of each setting available. See the PagePro 8e driver on-line help for full details on each setting.

Note

- The following information is common to both the standard and enhanced versions of the Windows 95 PagePro 8e driver and the Windows 3.1 driver unless otherwise noted.
- See “*Using the PagePro 8e Enhanced Driver Setup Dialog*” on page 4-55 for additional settings included in the Windows 95 enhanced version.

Common Buttons

The following buttons appear at the bottom of all the tabs.

OK

Click to exit the dialog, saving any changes made.

Cancel

Click to exit the dialog, discarding any changes made.

Set Default

Click to return most printer driver values to their default values.

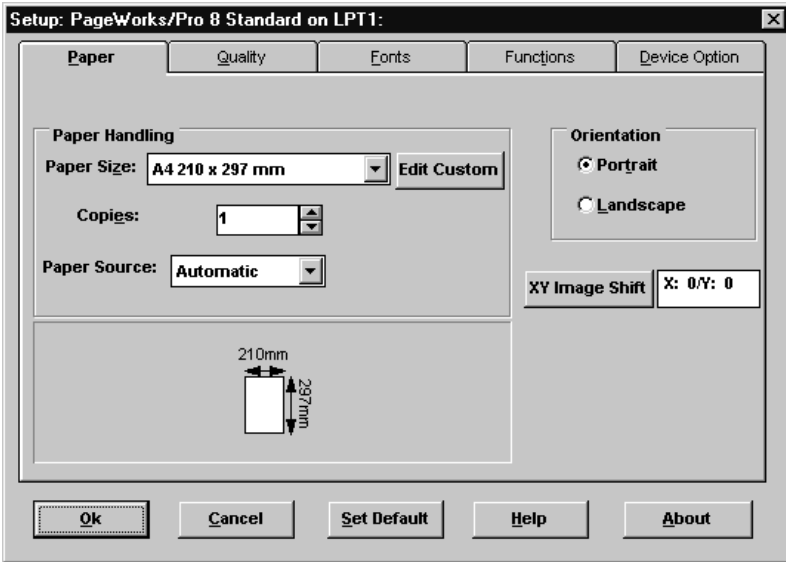
Help

Click to view on-line help.

About

Click to view copyright and version information.

Paper



Paper Size

Choose the paper size you wish to use from the drop-down list.

Edit Custom

Click this button to display the Custom Paper Size dialog (page 4-48), which lets you specify custom paper sizes that are not included in the standard Paper Size list.

Copies

Use this box to specify how many uncollated copies you want to print. Note that you should normally use the Copies setting in the Print dialog to specify the number of copies you want.

Paper Source

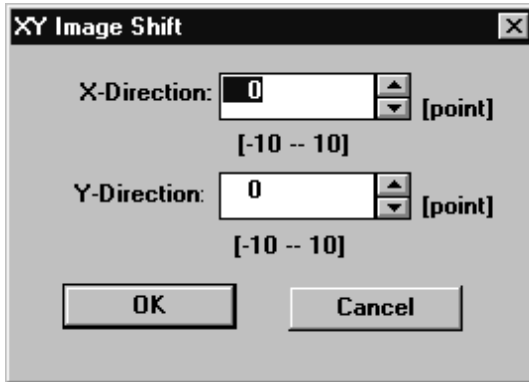
Use this drop-down list to specify the default paper input source.

Orientation

Choose Portrait or Landscape to select the default orientation of the printed page.

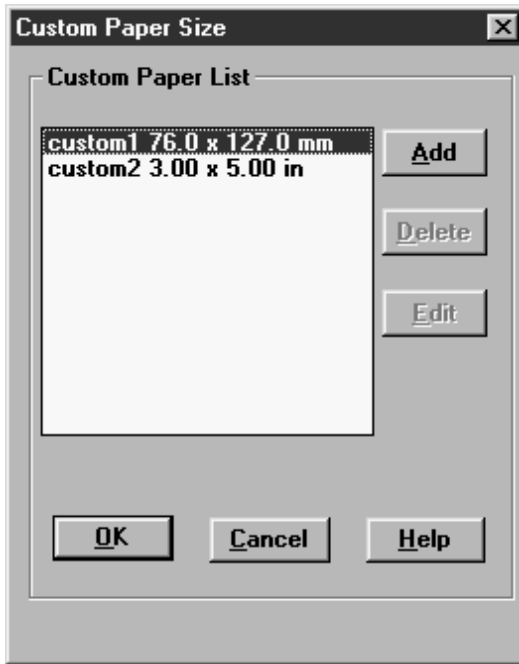
XY Image Shift

Click this button to display the dialog shown below, which lets you shift the printable area on the physical page.



The values you specify shift the image horizontally (X) and vertically (Y) on the page.

Custom Paper Size Dialog



This dialog appears when you click the **Edit Custom** button on the Paper tab.

Add

Click this button to expand the dialog and show the Custom Paper Edit settings.

- Input a name for your custom paper size. The name you input appears in the Paper Size list of the Paper tab.
- Click a radio button to specify either millimeters (mm) or inches (inch) as the measurement unit. Note that the setting ranges for paper width and height change in accordance with the unit you select.

- Specify the width and height of the paper. The values in parentheses under the size boxes indicate the range of allowable values.

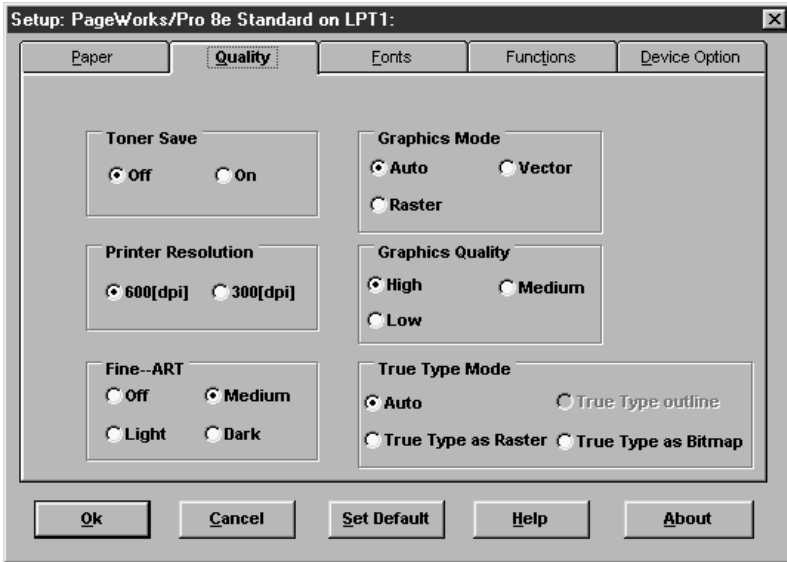
Delete

In the Custom Paper List, click the name of the paper you want to delete and then click this button. Click **OK** to delete the custom paper or **Cancel** to abort.

Edit

In the Custom Paper List, click the name of the paper you want to edit and then click this button to expand the dialog and show the Custom Paper Edit settings. Next, use the procedure described for the **Add** button above to make the changes you want.

Quality



Toner Save

Turning on this option uses less toner, but produces lighter printing. Turn this option off for normal printing.

Printer Resolution

Select **600 dpi** for best quality, or **300 dpi** for higher speed.

Fine Art

Changing this setting can improve the appearance of text and graphics by smoothing jagged edges.

Graphics Mode

This setting specifies how graphic images should be sent to the printer.

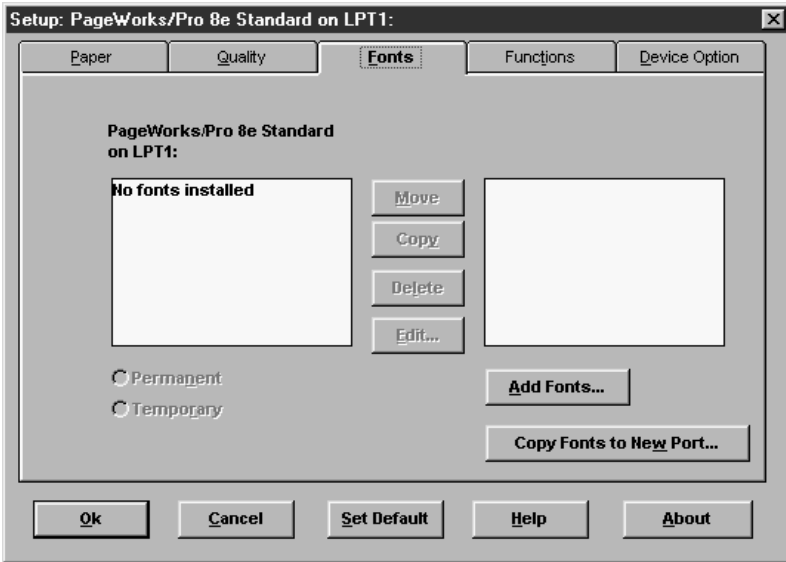
Graphics Quality

This setting specifies the resolution for printing of graphics. See the on-line help for this setting for information on how to select the setting you should use.

TrueType Mode

The TrueType Mode you should use depends on the relationship between the graphics and TrueType fonts in your document. See the on-line help for this item for full details.

Fonts

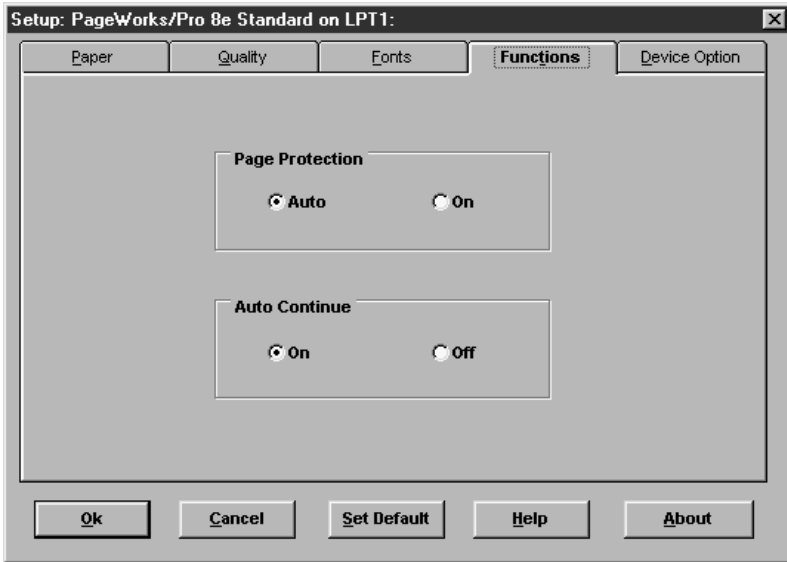


The Font Manager tab lets you install fonts for your printer. See the on-line help for full details on the font management operations you can perform with this tab.

Important!

- Note that the Fonts tab is available only with the PagePro 8e Standard driver only. The PagePro 8e Enhanced driver does not have a Fonts tab.

Functions



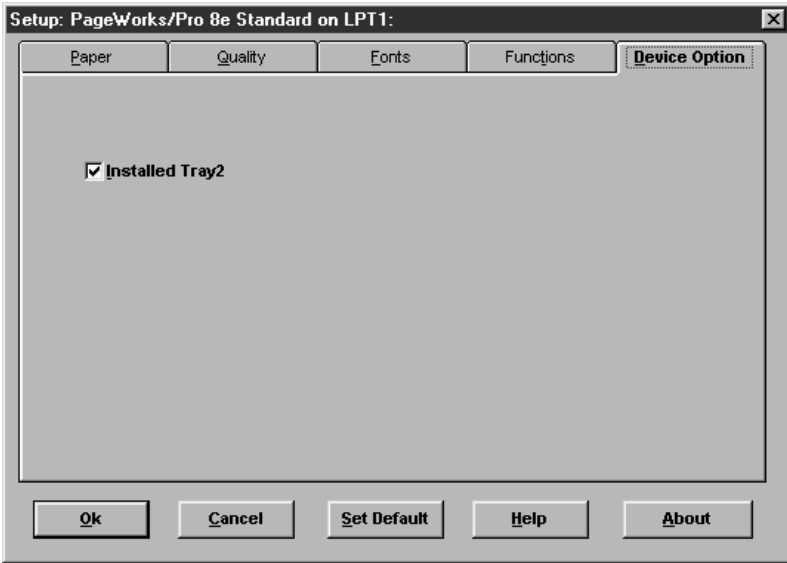
Page Protection

Page Protection allows you to make sure the entire page is processed before it is printed. Set the setting to ON only when the JOB TOO COMPLEX error occurs. If Page Protection is set to ON, printing speed may be slowed.

Auto Continue

Auto continue lets the printer automatically recover from print overrun and memory overflow errors.

Device Option



Installed Tray 2

Checking this option causes Tray 2 to be included in the Paper Source box of the Paper tab.

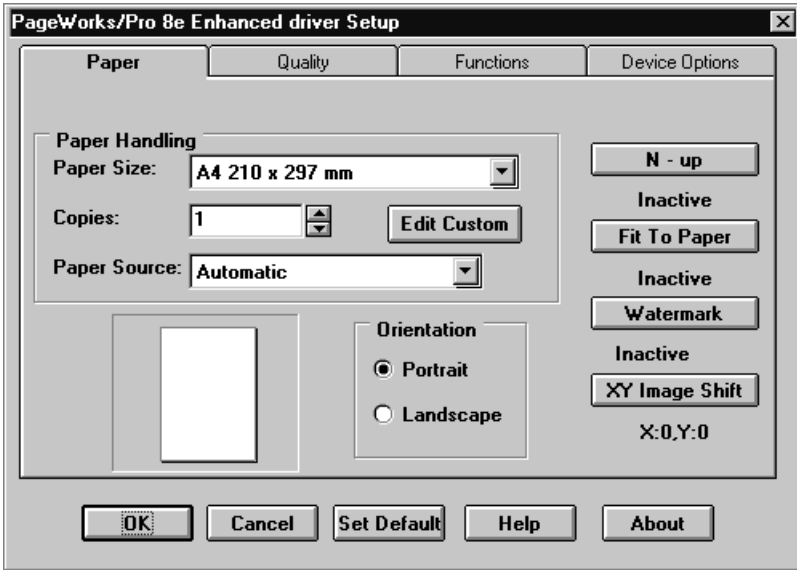
Using the PagePro 8e Enhanced Driver Setup Dialog

The PagePro 8e Enhanced Driver setup dialog is basically the same as the standard driver setup dialog, except for the following two points.

- The enhanced version does not have a Fonts tab.
- The enhanced version has additional Paper tab settings.

The following describes how to use the additional Paper tab settings only. See “*Using the PagePro 8e Driver Setup Dialog*” on page 4-44 for information about other settings.

Paper



N-up

Click this button to open the N-Up setting dialog, which is explained on page 4-57.

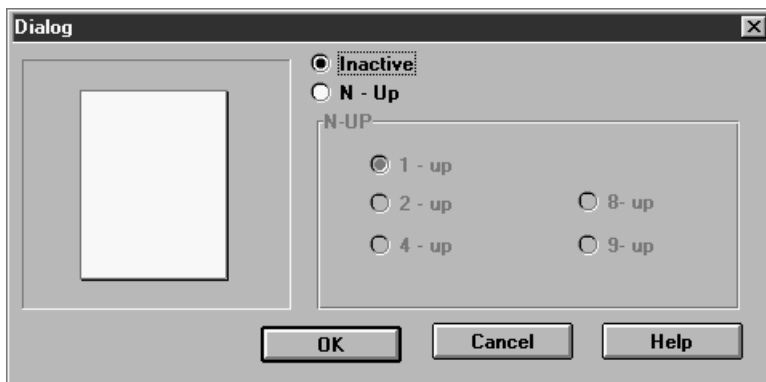
Fit to paper

Click this button to display the Scaling dialog, which is explained on page 4-58.

Watermark

Click this button to display the Watermark dialog, which is explained on page 4-59.

N-Up Setting Dialog



Use this dialog to specify the number of images arranged on each page.

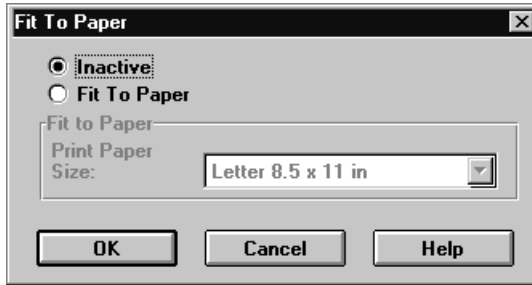
Inactive

Click this item to shut off the N-up options.

N-Up

Use these settings to specify how many images should be printed on a single page.

Fit to Paper Dialog



Use this dialog to scale an image before printing it.

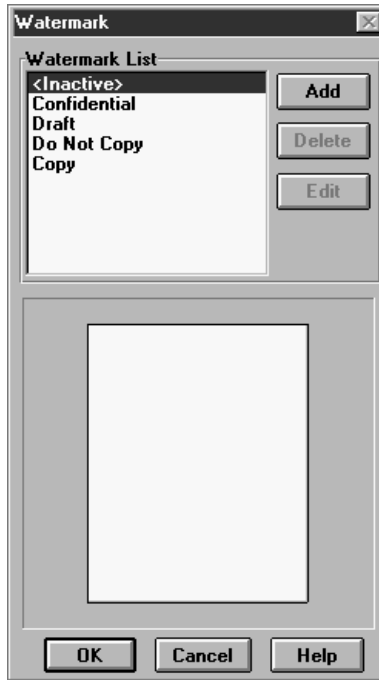
Inactive

Click this option to turn off scaling and print the image at its normal size.

Fit To Paper

Click this option when you want the image scaled automatically to fit the paper size specified by the drop-down list.

Watermark Dialog



Watermark List

Use this list to specify the watermark you want to use.

Note

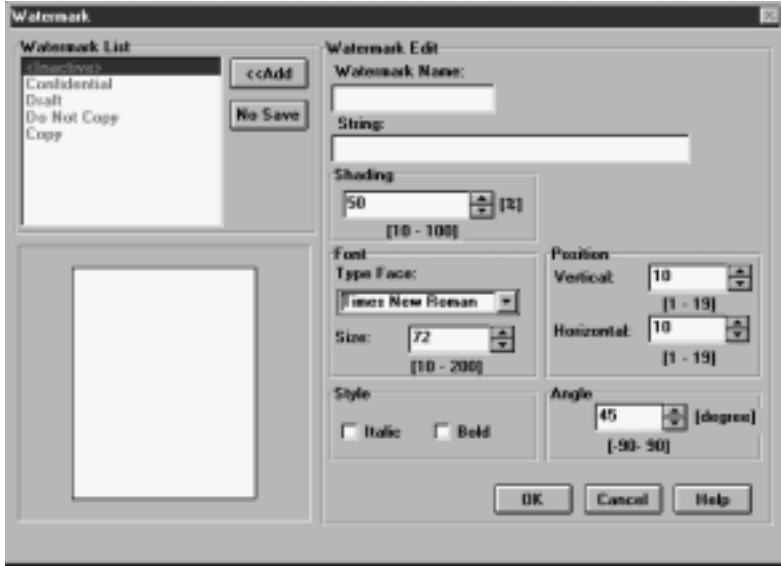
- The selected watermark is printed on all pages.

Delete

Select the name of the watermark you want to delete and click this button. Click **OK** to delete the custom Paper or **Cancel** to abort.

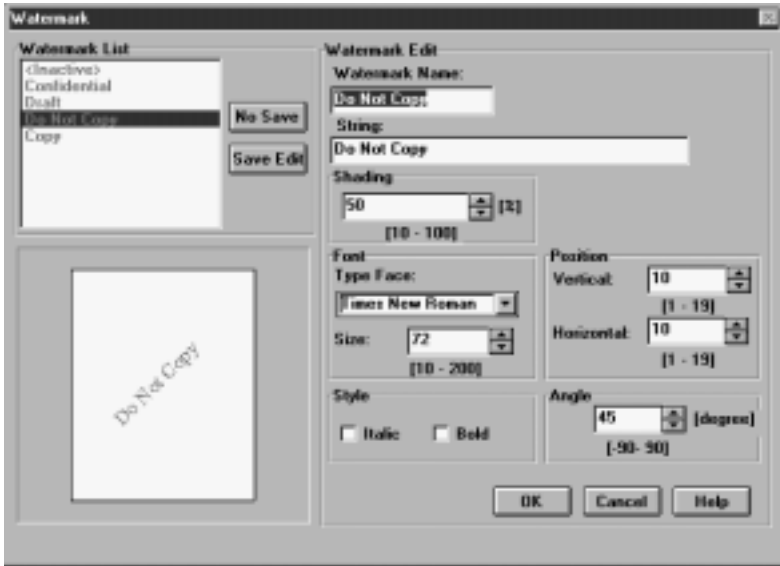
Add

Click this button to open the Watermark Edit dialog, which you can use for creating new watermarks.



Edit

Click a watermark name in the Watermark List and click this button to open the Watermark Edit dialog for editing of the selected watermark.



<<Add, Save Edit

The <<Add button appears when you open the Watermark Edit dialog with the Add button, and the Save Edit button appears when you open the Watermark Edit dialog with the Edit button.

Click either of these buttons to save the data in the Watermark Edit dialog under the name in the Watermark Name box.

No Save

This button appears when you open the Watermark Edit dialog either with the Edit button or with the Add button.

Watermark Name

Input a name for the watermark, which will appear inside the Watermark List.

String

Type the text for the watermark into this box.

Shading

Use this box to specify the darkness of the watermark. 100% is black.

Font

Specify the typeface and font size that you want to use for the watermark.

Position

Use these settings to specify the relative position of the watermark on the page. You can specify anywhere from the top (1) to the bottom (19) of the page for vertical, and far left (1) to far right (19) for horizontal.

Style

Click on the checkboxes to toggle italic and bold on and off.

Angle

Use this box to specify the angle of the watermark on the page.

DOS Printing Utilities

Installing DOS Printing Utilities

Use the following procedure to install DOS Printing Utilities.

1. Connect your printer to the parallel port of your PC.
2. Turn on your computer and start up DOS.
3. Turn on your printer and make sure it is online.
4. Insert the **Minolta PagePro** CD-ROM into your computer's CD-ROM drive.
 - In this example, we assume that **D:** is the name of the CD-ROM drive.
5. From the DOS prompt, create a directory on your hard disk for the DOS software. For example, the following creates a directory named `\mltdos` on drive C:
Type: `md c:\mltdos`↵
6. Change to the directory you created in the above step.
Type: `cd c:\mltdos`↵
7. Copy the Minolta PagePro 8e DOS Printing Utility program file from the Minolta PagePro 8e Printer Drivers CD-ROM.
Type: `copy d:\drivers\pp8e\dos\dosdisk.exe`↵
8. Use the following command to uncompress the DOS Printing Utilities program file.
Type: `dosdisk`↵

Note

- Installing DOS Printing Utilities updates your AUTOEXEC.BAT, adding a command to load the Status Display at the end of the file. This means that the Status Display program will be loaded automatically whenever you turn on your computer or execute AUTOEXEC.BAT. Note that since the Status Display uses the DOS file system, its load command in AUTOEXEC.BAT must be located after all disk caching and disk compression, and after loading of LAN software (such as Netware).

Loading and Unloading the Status Display

If you choose to add REPORT to your Autoexec.bat file, the Status Display is loaded and becomes resident in your computer's memory automatically whenever you start up your computer. The following explains the procedure you should use to manually load the Status Display, how to remove the Status Display from memory, and how to change a variety of Status Display settings.

To load the Status Display from the DOS prompt

Type the following at the DOS prompt to display the Status Display screen:

1. Change to the directory you created under "Installing DOS Printing Utilities" on page 4-63.
Type: `cd c:\mltdos`↵
- If you used the directory name we showed in our installation example, type in the command exactly as shown above. If you used a different directory name, change mltdos to the name you used.
2. Type the following command at the DOS prompt.
Type: `rep`↵

To remove the Status Display from memory

Type the following at the DOS prompt:

```
Rep /d
```

Note

- You should use the above step to remove the Status Display from memory if the Status Display is interfering with one of your other software applications or if you need to free up the memory used by the Status Display.

Accessing the Printer Control Panel

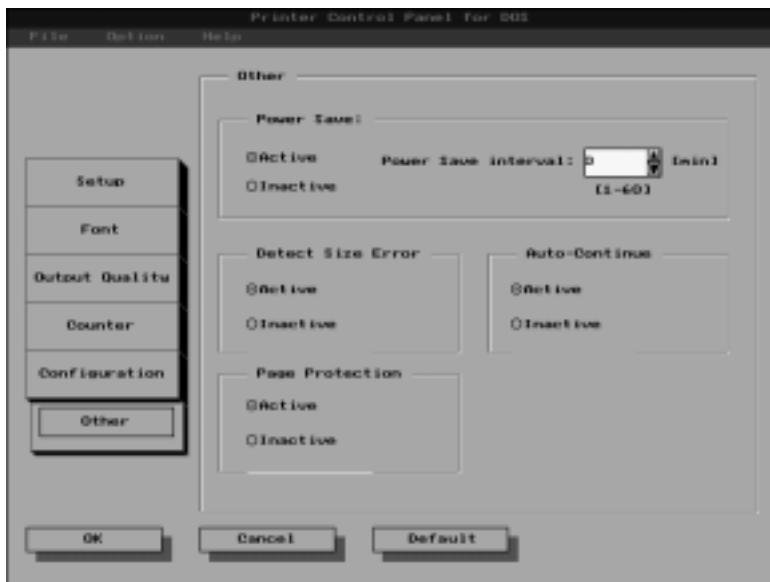
This section explains how to access the Printer Control Panel.

To access the Printer Control Panel

Type the following at the DOS prompt to access the Printer Control Panel:

1. Change to the directory you created under “Installing DOS Printing Utilities” on page 4-63.
Type: `cd c:\mltdos`↵
 - If you used the directory name we showed in our installation example, type in the command exactly as shown above. If you used a different directory name, change `mltdos` to the name you used.
2. Type the following command at the DOS prompt.
Type: `spcpdos`↵

After the Printer Control Panel finishes reading the printer profile, the Page Setup window appears.



See page 4-67 for details on getting around in the Printer Control Panel windows.

To exit the Printer Control Panel

Select **Exit** from the **File** menu, or press **[Alt]+[x]**.

Using the Printer Control Panel

The Printer Control Panel lets you control the printer from your computer. This section tells you how to maneuver around the Printer Control Panel, change its settings, and save printer setups as profiles.

Note

- You can find further information on using the Printer Control Panel by using its **Help** menu to access the online help files.

Getting Around in the Printer Control Panel

Use the following key operations to get around the Printer Control Panel and make the settings you want.

- Use the **Esc** key to move the selection cursor to the control buttons on the left side of the Printer Control Panel Screen. Once the selection cursor is in place, use the **<up>** and **<down>** arrow keys to press the desired button.
- To move the selection cursor between the menu bar at the top of the window and the selections inside of the displayed screen, press **Esc**.
- To select a menu, use **Esc** to move the selection cursor to the menu bar and then use the **<-** and **->** arrow keys to move the cursor left and right between menus.
- To pull down a menu, first select the menu and then press the **<down>** arrow key.
- To select an item inside of a menu, first pull down the menu and then use the **<up>** and **<down>** arrow keys to highlight the item you want. Next, press **Enter** to execute the item.
- To change a setting inside of a screen, first use **Esc** to move the selection cursor to the screen and then use **Tab** to move the selection cursor between items. When an item is selected, use **<up>** and **<down>** to change its setting.

About profiles

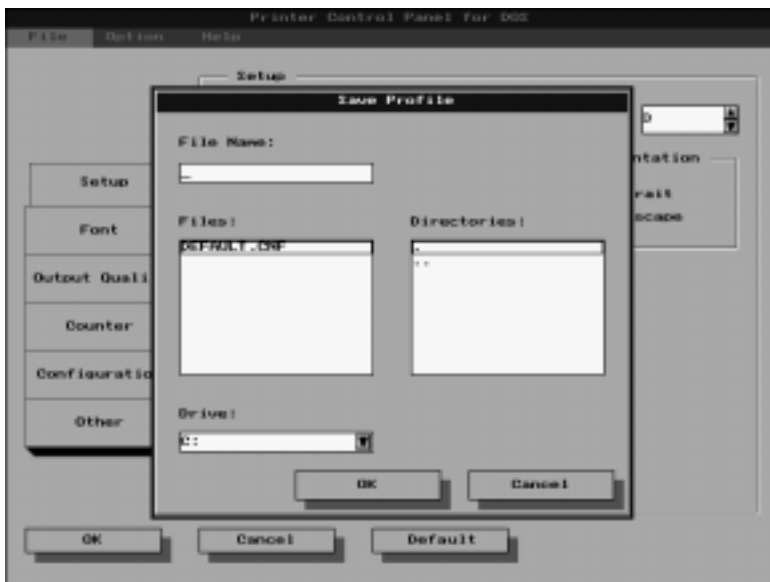
You can save a printer setup to disk for later recall when you need it. A printer setup is called a profile.

Important!

- Note that any changes you make in the Printer Control Panel do not affect the settings of the printer until you export the settings to the machine.

To save a profile

1. After making the Printer Control Panel settings you want, select **Save Profile** from the **File** menu.



Note

- You can also save a profile under a new name by selecting **Save As...** from the **File** menu.

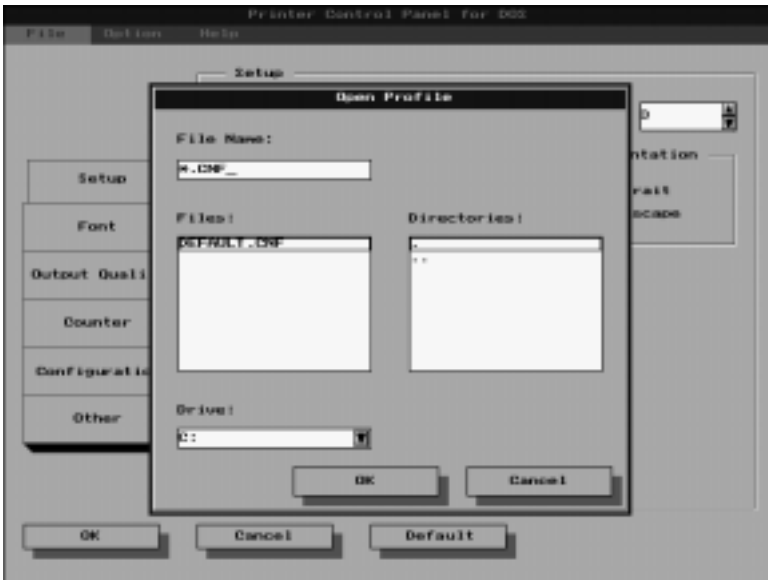
2. Specify the drive, path, and file name where you want to save the profile.
You can make these specifications using the lists that appear in the dialog box, or you can input a path in the **File Name:** box.
3. Select **OK** to save the profile.

To open a profile

Important!

- This procedure replaces the current profile with the one you open. Make sure you no longer need the current profile, or save it using the procedure under “To save a profile” on page 4-68.

1. Select **Open Profile** from the **File** menu.



2. Specify the drive, path, and file name where the profile you want to open is located.

You can make these specifications using the lists that appear in the dialog box, or you can input a path in the **File Name:** box.

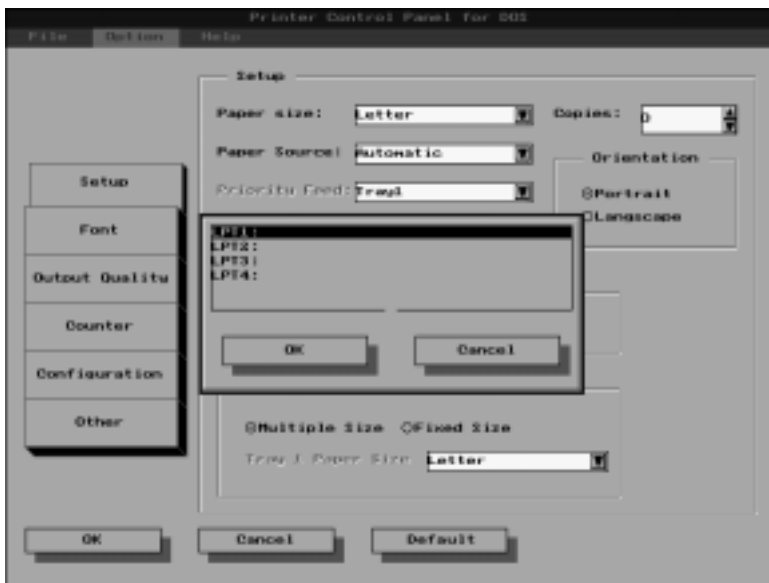
3. Select **OK** to open the profile.
The settings of the Printer Control Panel change in accordance with the profile you opened.

To print a test page or demo page

Select the test or demo page you want to print from the **Option** menu.

To change the printer port

1. Select **Connect Port** from the **Option** menu.



2. Select the port you want to change to and then select **OK**.

Printer Control Panel Screens

This section describes the settings that are available in the Printer Control Panel Screens.

Common Buttons

OK

Select this button to export the current settings to the printer.

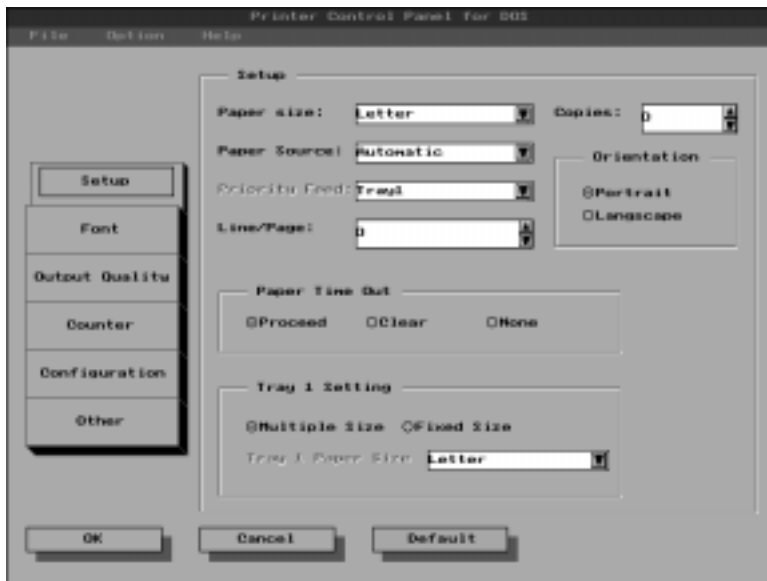
Cancel

Select this button to restore all fields to their previous settings without updating the printer profile.

Default

Select this button to return all fields to their default settings.

Setup Screen



Paper Size

Use this list to specify either paper or envelopes for printing, and the size of each.

Paper Source

Indicate whether the printer automatically selects the paper tray for feeding, whether paper should be fed from a designated tray or whether paper will be fed manually.

Priority Feed

Use this setting to specify Tray 1 or Tray 2 as the priority tray. The priority tray is the one that the printer feeds from when the paper source setting is **Automatic** or if the same size paper is loaded in all trays.

Lines/Page

Use this setting to specify the number of lines that should be printed on each page.

Copies

Use this setting to specify how many copies of the document should be printed in the range of 1 to 999. The default setting is 1.

Orientation

Select the paper orientation setting you want to use. The default is Portrait.

Paper Time Out

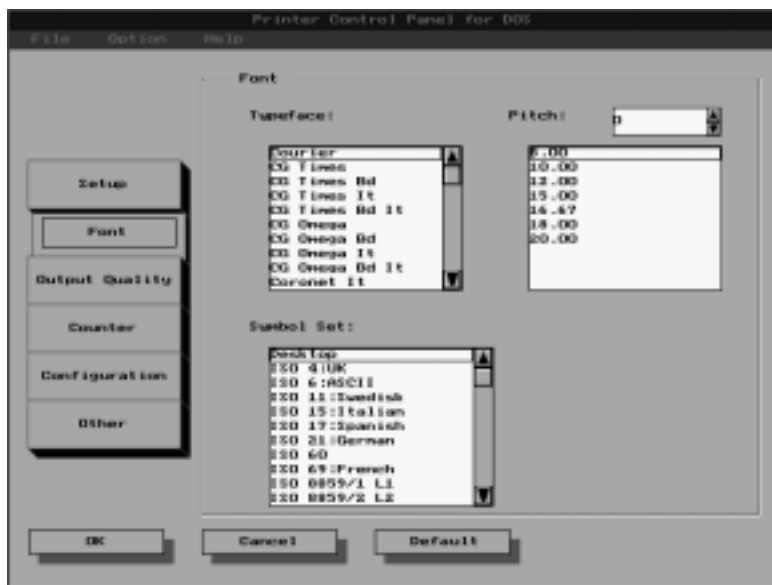
During manual feeding of paper, the printer pauses during printing to wait for you to feed the next sheet. The “paper time out” condition exists when the printer is paused and nothing happens for about 10 minutes.

Setting	Paper Time Out Action
Proceed	Paper is automatically fed from another Paper tray.
Clear	The print job is cleared (cancelled).
None	The printer continues to wait until you feed paper or manually cancel the print job.

Tray 1 Setting

Specify whether Tray 1 is a multi-purpose (**Multiple Size**) tray or a fixed-size tray. When **Multiple Size** is selected, a paper size error (Load XX) does not occur regardless of the size of paper loaded in Tray 1. When **Fixed Size** is selected, you can specify the size you want in the **Tray 1 Paper Size** drop-down list.

Font Selection Screen



Typeface

Select the typeface you want to use from this list.

Pitch/Point

Specify the type size you want to use, either by scrolling the value in the upper box or by selecting a value from the lower box. The values indicate points for proportional fonts and inches for fixed pitch fonts.

Note

- When Typeface is set to Courier, 99.99 is the maximum pitch possible.

Symbol Set

Select the symbol set for the typeface you are using.

Output Quality Screen



Toner Save

Specify **Active** or **Inactive** for the toner save setting. Turning toner saving on uses less toner for printing and helps toner cartridges to last longer. The **Inactive** setting produces normal output and toner usage, while **Active** uses less toner but prints lighter.

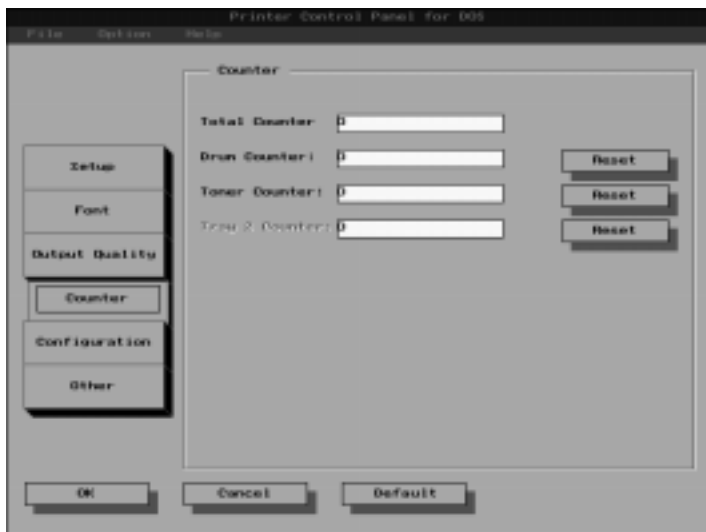
Resolution

Use this setting to specify either 300 dpi or 600 dpi printing.

Fine ART

Specify **OFF**, **LIGHT**, **MEDIUM**, or **DARK** for the Fine ART setting. Turning Fine ART on smooths out jagged edges of text and graphics for very high quality printing. The default setting for Fine ART is **OFF**, which is generally acceptable for most applications. Fine ART controls the size of dots along the edges of text, lines, and graphics so you might want to change the setting if edges appear too light or dark. Some graphics that include gray shading or a screen pattern are improved by turning Fine ART off.

Counter Screen



Total Counter

This value shows how many pages have been printed throughout the life of the printer. This value cannot be reset.

Drum Counter

This value shows how many pages have been printed on the current drum. This value can be reset to zero by clicking the **Reset** button.

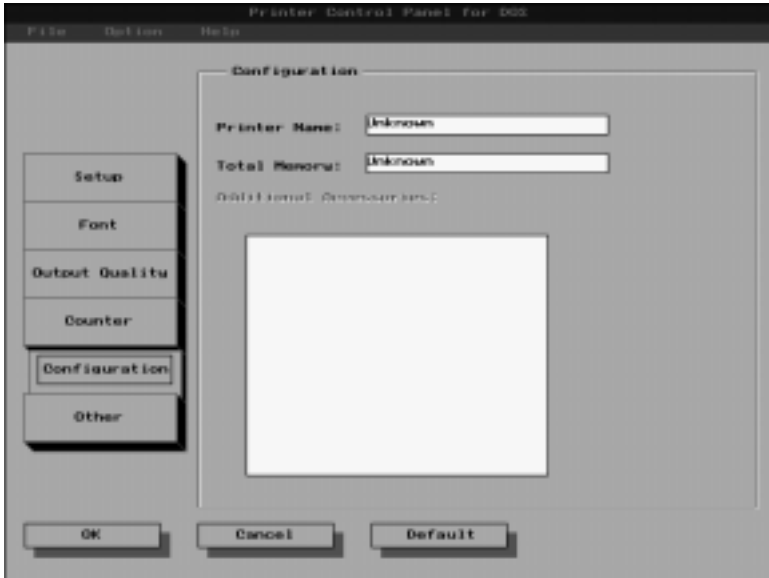
Toner Counter

This value shows how many pages have been printed with the current toner cartridge. This value can be reset to zero by clicking the **Reset** button.

Tray 2 Counter

This value shows how many pages have been printed from Tray 2. This value can be reset to zero by clicking the **Reset** button.

Configuration Screen



Printer Name

This box shows the name assigned to the connected printer.

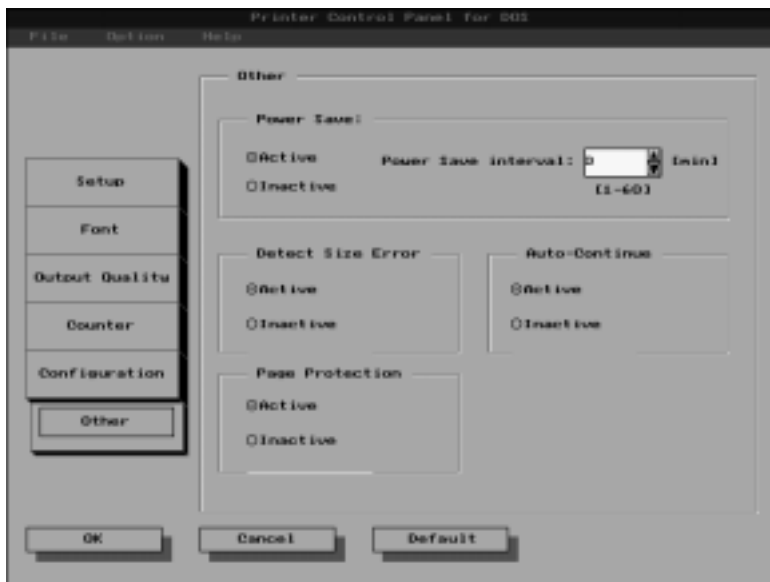
Total Memory

This box shows how much memory is installed on the printer.

Additional Accessories

This box shows any additional accessories installed on the printer.

Other Screen



Power Save

Specify **Active** or **Inactive** for the Power save setting. Turning power save on causes the printer to enter a “sleep” mode whenever it is idle for the period of time specified by the power save interval.

Power Save Interval

Specify the amount of time in minutes that the printer should wait before entering its “sleep” mode.

Detect Size Error

A size error occurs when the actual paper size is different from the paper size specified by the printer driver. Use this setting to turn the size error detection on (**Active**) and off (**Inactive**).

Auto Continue

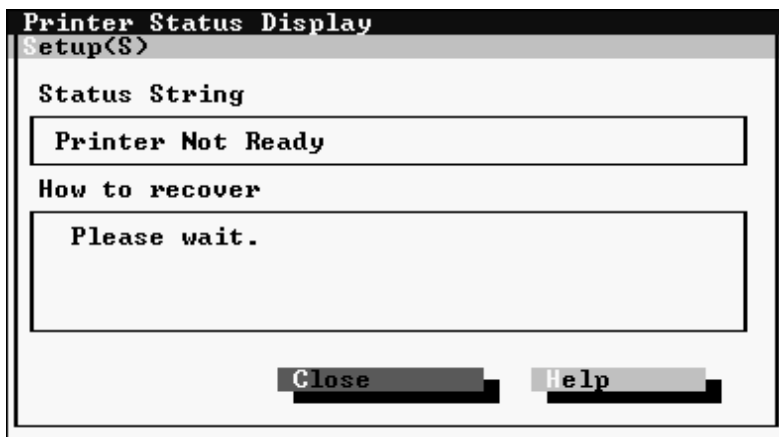
Auto continue lets the printer automatically recover from printer overrun and memory overflow errors. Use this setting to turn auto continue on (**Active**) and off (**Inactive**).

Page Protection

Page protection allows the printer to process the data for the entire document before it is printed. Use this setting to turn page protection on (**Active**) and off (**Inactive**).

Using the Status Display

This section describes how to display the Status Display and make changes in the operating environment of the Status Display.



To display the Status Display

After the Status Display is loaded, perform the required hot key combination (a combination of keys you press at the same time to perform an operation) to display the Status Display. The following is the default hot key combination.

[ctl]+[alt]+[R]

After the Status Display screen is displayed, you can change the hot key combination.

To select an item on the Status Display, first highlight it, then press Return to advance to its setting screen. You can clear the Status Display at any time by pressing **Esc**.

The following is a brief explanation of the items that are available on the Status Display. Further information can be found in the Status Display's online help.

Status Display Screen

The following describes each of the buttons and the commands on the Status Display **Setup** menu.

Set Display Mode Command (Setup Menu)

In the dialog that appears when you execute this command, click the checkbox next to the **Enable Popup** setting to toggle popup error messages on (checked) and off (unchecked). When this feature is turned on, a dialog box will appear to alert you whenever an error condition occurs.

- When a popup error message occurs, correct the problem and then click **OK**.
- You can control which error conditions cause popup error messages to appear by using the procedure under “Change Popup Message Command,” below.

Change Hot Key Command (Setup Menu)

The dialog that appears when you execute this command shows the current hot key combination that launches the Status Display. While the dialog is open, you can change the hot key combination by pressing the key you want to change.

Change Popup Message Command (Setup Menu)

The dialog that appears when you execute this command contains a list of error conditions that cause popup error messages to appear. Error conditions marked **Active** cause a popup error message to appear when they occur, while no message appears for conditions marked **Inactive**. To toggle an error condition between **Active** and **Inactive**, highlight it and then press **Enter**.

Exit Command (Setup Menu)

Use this command to exit the Status Display.

Close (button)

Select this button to close the Status Display screen. Status Display remains in memory when you return to the DOS prompt, and you can remove it by typing the following:

```
REP /d
```

Help (button)

Select this button to display online help about the Status Display.

Installation from a Floppy Diskette

If your PC is not equipped with a CD-ROM drive, you can use another computer's CD-ROM drive to copy the printer driver to a floppy diskette using the following procedure.

1. Insert the **Minolta PagePro** CD-ROM into the CD-ROM drive of the other computer, and insert the floppy diskette into the floppy disk drive.
2. The opening screen automatically appears on the screen.

Note

- The configuration of some computers may prevent the above screen from appearing automatically. If the screen does not appear, double-click **pagepro.exe** from the CD-ROM.

3. Follow the instructions that appear on your computer screen to copy the driver on floppy diskette.
4. Remove the floppy diskette from the floppy disk drive and insert it into the PC that is not equipped with a CD-ROM drive.
5. Create a folder for the printer driver on the hard disk of the PC. Copy the files that were saved onto the floppy diskette in step 3 to the new folder.
6. After saving the files, find the one that is titled XXXXXX.exe (the full name of the file depends upon your operating system). Open this file.
 - This file contains compressed data. The procedure for opening such a file varies according to the operating system of your computer. Consult the user's manual of your operating system for more information regarding compressed files.
7. Through the file that was opened in step 6, install the printer driver by following the instructions provided in this user's manual.

Chapter

*Using MLT PagePro 8
Tools*

5

Introduction

This chapter describes how to start up and use the Status Display, which keeps you informed of the status of the printer at all times, and the Control Panel, which you can use to check and change the current settings of the printer. The Status Display and Control Panel features are not supported under Windows NT4.0.

Important!

- In order for the Status Display and Control Panel to operate correctly, the printer must be connected to your computer and turned on. Otherwise, the Control Panel refuses to start up and the Status Display shows an error message.

Starting Up the Status Display

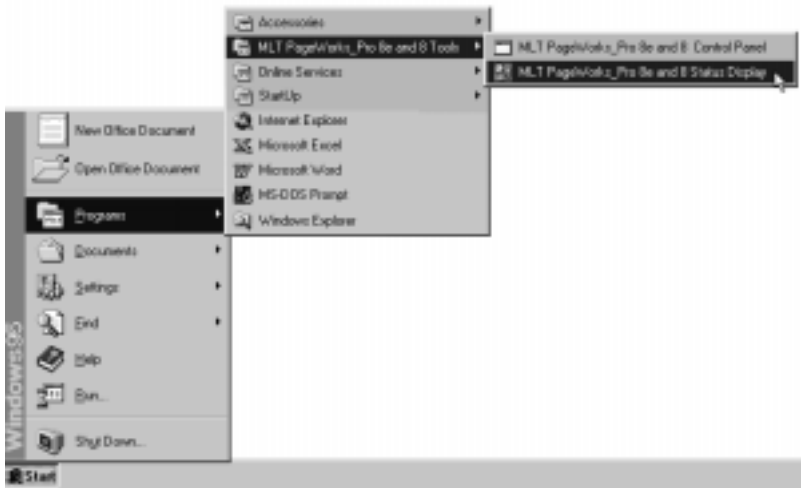
The procedure you should use to start up the Status Display depends on whether you are running Windows 95 or Windows 3.1.

Note

- If you checked “Setup to start Status Display automatically” when you installed PagePro 8e Printer Software, the Status Display will start up automatically each time you start up your computer.

To start up the Status Display under Windows 95

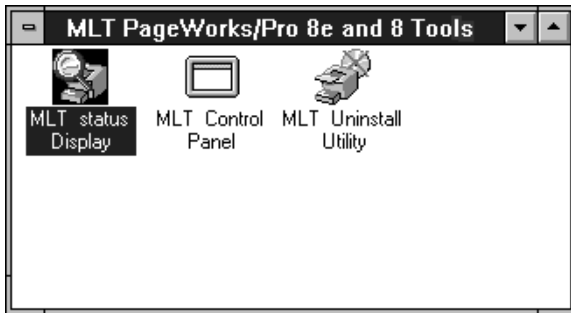
1. Click **Start**, point to **Programs**, and then point to **MLT PageWorks_Pro 8e and 8 Tools**.
2. Click **MLT PageWorks_Pro 8e and 8 Status Display**.



- The Status Display should appear on the screen at this time. See “Using the Status Display” on page 5-4 for details on the Status Display screen.

To start up the Status Display under Windows 3.1

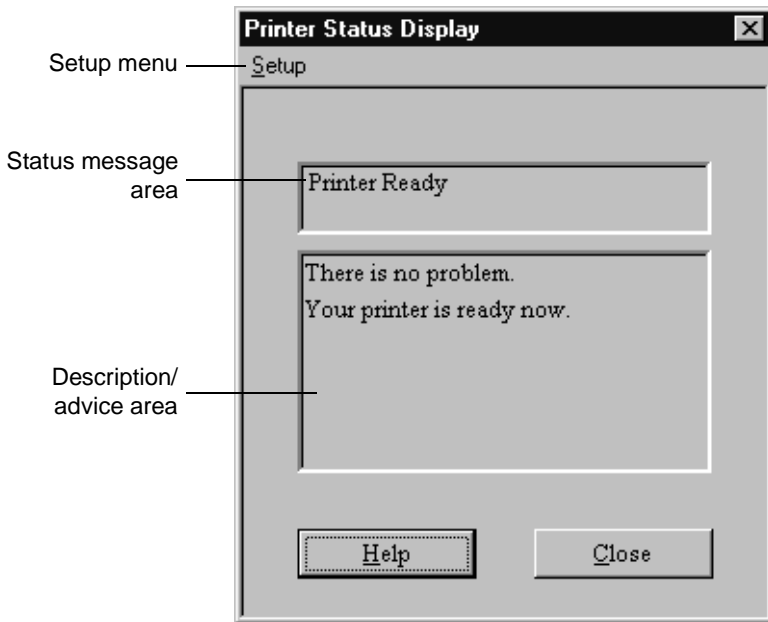
From the File Manager, double-click the **MLT PageWorks/Pro 8e and 8 Tools** folder and then double-click **MLT Status Display**.



- The Status Display should appear on the screen at this time. See “Using the Status Display” on page 5-4 for details on the Status Display screen.

Using the Status Display

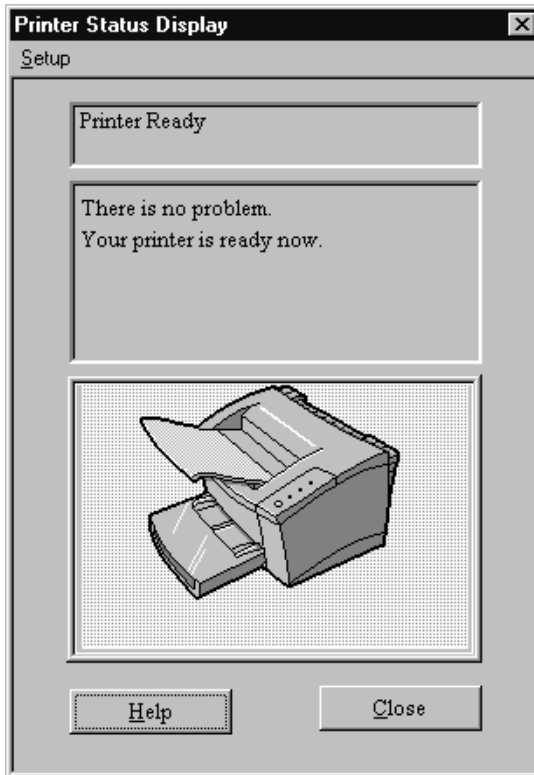
Procedures for using the Status Display are the same regardless of whether you are running it under Windows 95 or Windows 3.1.



- The status message area reports the current status of the printer.
- The description/advice area gives further details about the status message. If an error is being reported, this area gives you advice about what you need to do to correct it.
- Click **Close** when you want to close the Status Display window. To exit the Status Display, use the **Exit** command from the setup menu.
- Click **Help** to display online help about the Status Display.

To expand the size of the Status Display

On the **Setup** menu, click **Expand**.



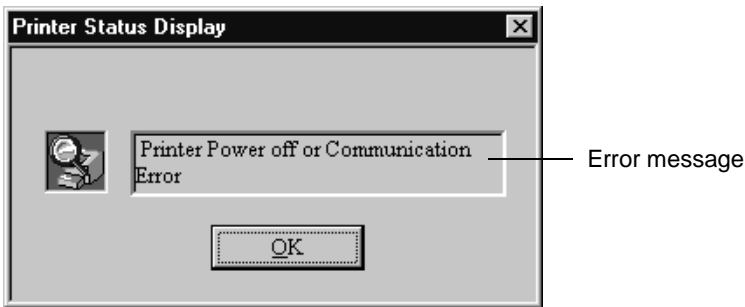
- The bottom part of the expanded Status Display shows the printer status in graphic form. The graphic shows the location of the problem, and even changes to reflect the installation of options.
- To return the Status Display to its normal (unexpanded) size, click the **Setup** menu's **Reduce** command.

To turn Popup Error Messages On and Off

On the **Setup** menu, click **Popup Error Message**.

This puts a check mark on the **Setup** menu next to **Popup Error Message** to indicate that it is turned on.

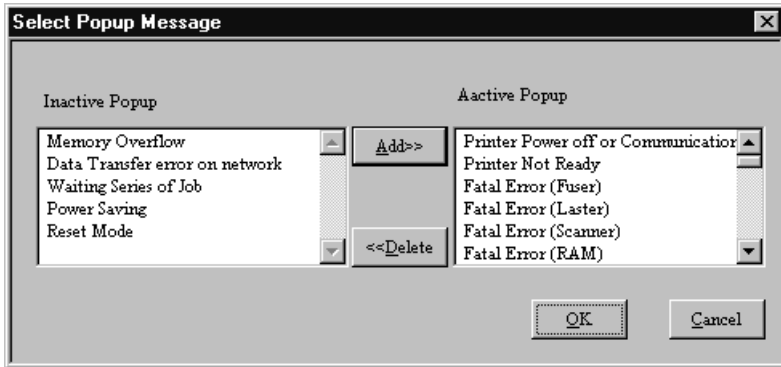
- When this feature is turned on, a dialog box appears to alert you whenever an error condition occurs.



- When a popup error message occurs, correct the problem and then click **OK**.
- You can control which error conditions cause popup error messages to appear using the following “To specify popup message conditions” procedure.
- To turn off popup error messages, click the **Setup** menu’s **Popup Error Message** command to remove the check mark.

To specify popup message conditions

On the **Setup** menu, click **Select Popup Messages**.



- The **Active Popup** list shows error conditions that cause popup error messages to appear.
- The **Inactive Popup** list shows error conditions that do not cause popup error messages to appear.
- To move an error condition from the **Inactive Popup** list to the **Active Popup** list, click on the error condition to highlight it and then click **Add**.
- To move an error condition from the **Active Popup** list to the **Inactive Popup** list, click on the error condition to highlight it and then click **Delete**.
- After you are finished, click **OK** to register your settings or **Cancel** to close the dialog without changing anything.

Starting Up the Control Panel

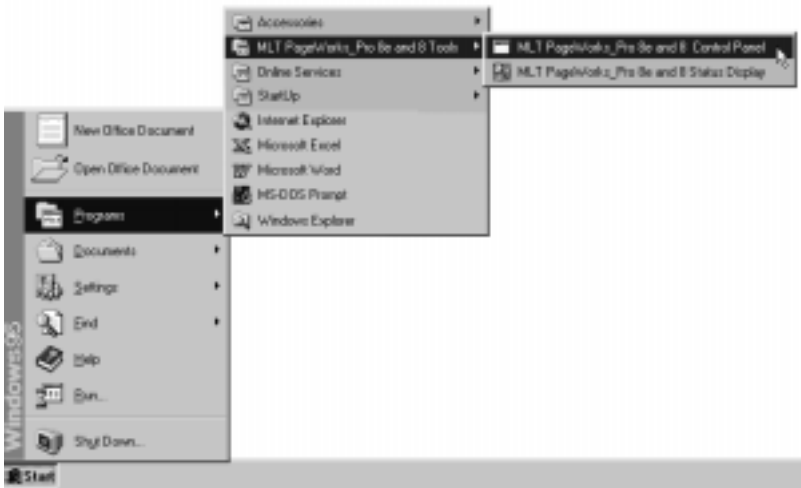
The procedure you should use to start up the Control Panel depends on whether you are running Windows 95 or Windows 3.1.

Important!

- Attempting to start up the Control Panel while the printer is not connected to your computer or turned on causes an error message to appear. Make sure the printer is connected and running before performing either of the following procedures.

To start up the Control Panel under Windows 95

1. Click **Start**, point to **Programs**, and then point to **MLT PageWorks_Pro 8e and 8 Tools**.
2. Click **MLT PageWorks_Pro 8e and 8 Control Panel**.

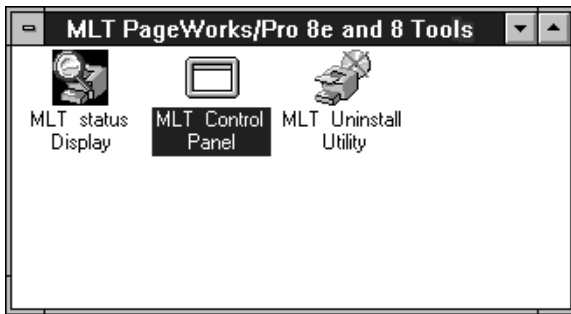


- The Control Panel should appear on the screen at this time. See “Using the Control Panel” on page 5-11 for details on using the Control Panel.

To start up the Control Panel under Windows 3.1

From the File Manager, double-click the **MLT PageWorks/Pro 8e and 8 Tools** folder and then double-click **MLT Control Panel**.

- The Control Panel should appear on the screen at this time. See “Using the Control Panel” on page 5-11 for details on using the Control Panel.



Using the Control Panel

When you start up the Control Panel, it gets the current printer settings and displays them on separate tabs. Click on a tab to view its contents or to change its settings.

The following shows the contents of each of the tabs and provides brief explanations of each setting available. See the Control Panel on-line help for full details on each setting.

Note

- The following information is common to both Windows 95 and Windows 3.1.



Common Buttons

The following buttons appear at the bottom of all the tabs.

OK

Click to exit the Control Panel, saving any changes made.

Cancel

Click to exit the Control Panel, discarding any changes made.

Default

Click to return Control Panel settings to their defaults.

Help

Click to view online help.

About

Click to view copyright and version information.

Paper



Paper Time Out

During manual feeding of paper, the printer pauses during printing to wait for you to feed the next sheet. The “paper time out” condition exists when the printer is paused and nothing happens for about 10 minutes.

Setting	Paper Time Out Action
Proceed	Paper is automatically fed from another paper tray.
Clear	The print job is cleared (cancelled).
None	The printer continues to wait until you feed paper or manually cancel the print job.

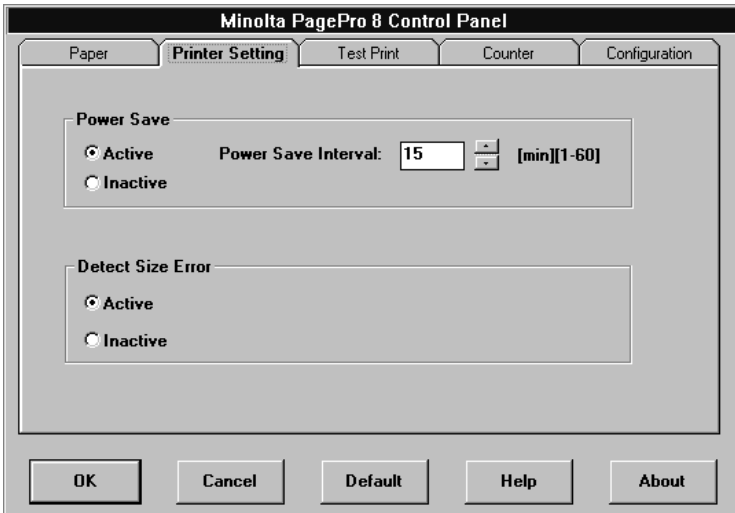
Priority Feed

Use this setting to specify Tray 1 or Tray 2 as the priority tray. The priority tray is the one that the printer feeds from when the paper source setting is **Automatic** or if the same size paper is loaded in all trays.

Tray 1 Setting

Specify whether Tray 1 is a multi-purpose (**Multiple Size**) tray or a fixed-size tray. When **Multiple Size** is selected, a paper size error (Load XX) does not occur regardless of the size of paper loaded in Tray 1. When **Fixed Size** is selected, you can specify the size you want in the **Tray 1 Paper Size** drop-down list.

Printer Setting



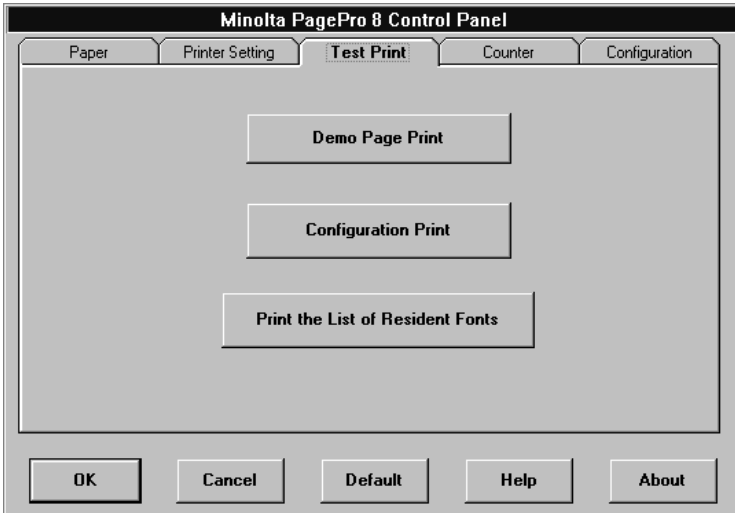
Power Save

Use this setting to turn the Power Save mode on (**Active**) and off (**Inactive**). The printer enters the Power Save mode if no operation is performed for the number of minutes specified by the **Power Save Interval**. The power save interval can be specified as a value of 0 (**Power Save turned off**) to 60 minutes.

Detect Size Error

A size error occurs when the actual paper size is different from the paper size specified by the printer driver. Use this setting to turn the size error detection on (**Active**) and off (**Inactive**).

Test Print



Demo Page Print

Click to print a demo page.

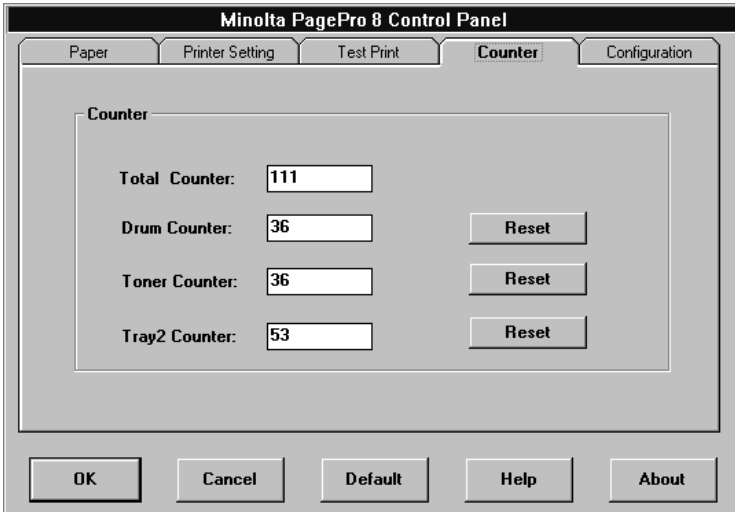
Configuration Print

Click to print a page that shows the current printer configuration.

Print the List of Resident Fonts

Click to print a list of all fonts that are resident in printer memory.

Counter



Total Counter

This value shows how many pages have been printed throughout the life of the printer. This value cannot be reset.

Drum Counter

This value shows how many pages have been printed on the current drum. This value can be reset to zero by clicking the **Reset** button.

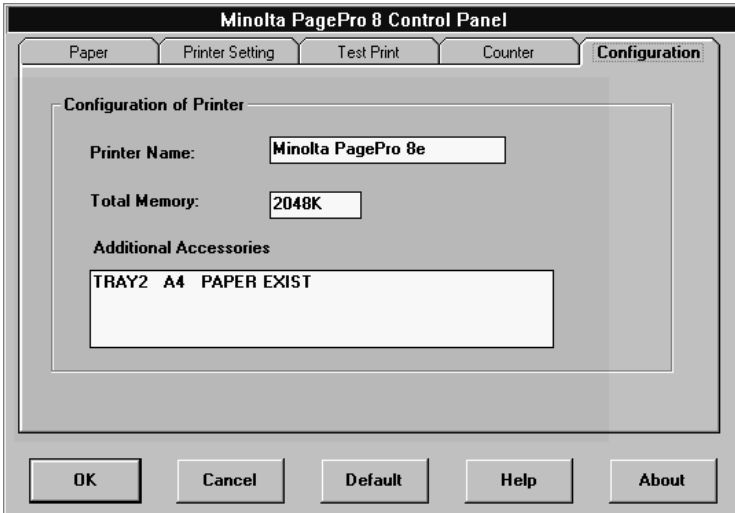
Toner Counter

This value shows how many pages have been printed with the current toner cartridge. This value can be reset to zero by clicking the **Reset** button.

Tray 2 Counter

This value shows how many pages have been printed from Tray 2. This value can be reset to zero by clicking the **Reset** button.

Configuration



Printer Name

This box shows the name assigned to the connected printer.

Total Memory

This box shows how much memory is installed on the printer.

Additional Accessories

This box shows any additional accessories installed on the printer.

Chapter

Maintenance

6

Replacing the Toner Cartridge

Each toner cartridge contains enough toner to produce about 3,000 or 6,000 A4-size prints (depending upon the type of toner cartridge used). This is calculated based on an average image density equivalent to a black-to-white ratio of 5% or less. The actual number of pages obtained from a toner cartridge depends on the image density of the pages you print.

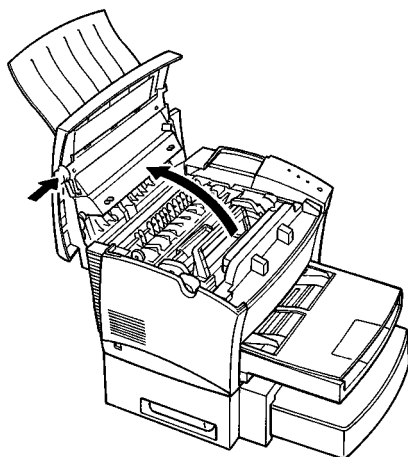
If printed images start to get light, remove the toner cartridge from the printer, rock it back and forth a few times, and then replace it in the printer. If this does not solve the problem, it probably means you need to replace the toner cartridge with a new one.

To replace the toner cartridge

Caution

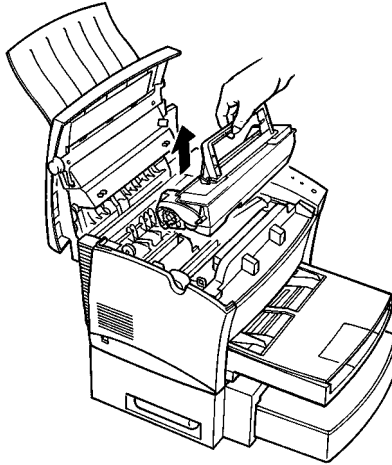
- The fusing unit inside the printer can become very hot during operation. Do not touch the area to avoid injury.

1. Press the top cover release button and open the top cover.



Replacing the Toner Cartridge

2. Remove the old toner cartridge.

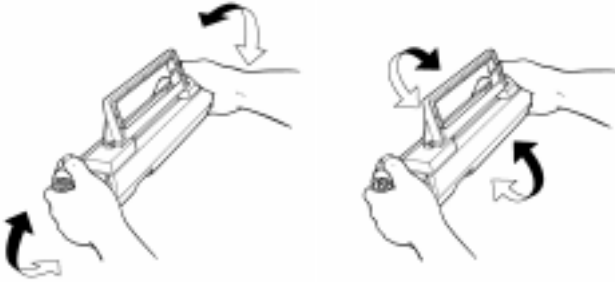


Note

- The toner cartridge is made up of non-hazardous materials, and can be disposed of freely. Check local regulations in your area concerning disposal of such items.
- The life span of the toner cartridge is dependent upon the mode and application in which it is used.

Replacing the Toner Cartridge

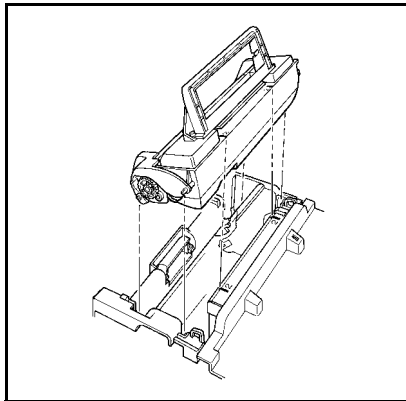
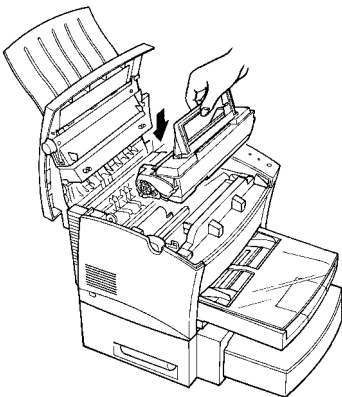
3. Remove the toner cartridge from the box it comes packed in. Holding it firmly with both hands, rock it left and right, forward and back in the directions indicated by the arrows in the illustration.



4. Holding onto the toner cartridge's handle, lower it into the printer. Make sure that the four pins (two on each side) fit into the grooves inside the printer.

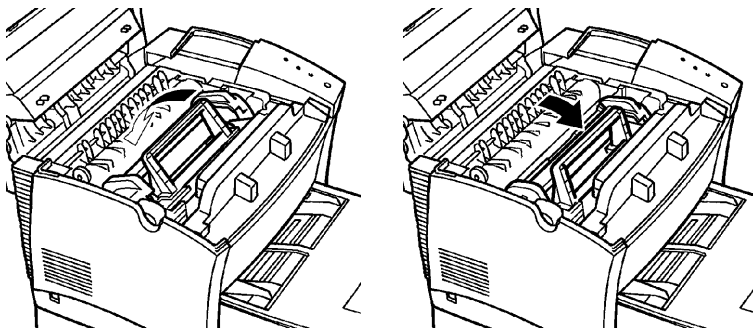
Note

- Color coordinated “2” labels have been affixed to the toner cartridge and to the inside of the printer. Install the toner cartridge by aligning these labels.

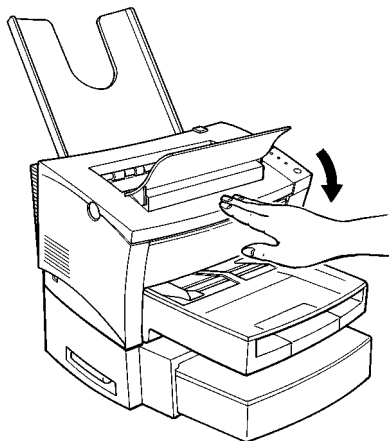


Replacing the Toner Cartridge

The cartridge will click into place when it is completely installed.



5. Close the top cover and press it down gently but firmly until it locks into place.



To reset the counter of the toner cartridge

Perform the following procedure to reset the toner cartridge counter after you replace the toner cartridge.



1. While holding down the control panel button, turn on the printer. Keep the button depressed for about five seconds. After all the indicator lights start to blink, release the control panel button.



2. While the indicator lights are blinking, briefly press the control panel button three times. This causes the Ready indicator (green) to blink and all the other indicators to turn off.



3. Hold down the control panel button again for at least five seconds. After that, release the button, which causes all indicator light to blink again, indicating that the toner cartridge counter is reset.
4. Turn off the printer. The printer will be ready to print the next time you turn it on.

Replacing the Drum Cartridge

Each drum cartridge can produce about 20,000 A4-size prints. The actual number of pages obtained from a drum cartridge depends on the image density of the pages you print.

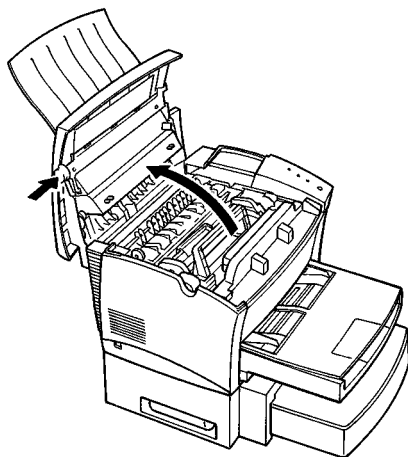
After about 20,000 pages, print images start to become faint and blurred. If this happens, use the following procedure to replace the drum cartridge with a new one.

To replace the drum cartridge

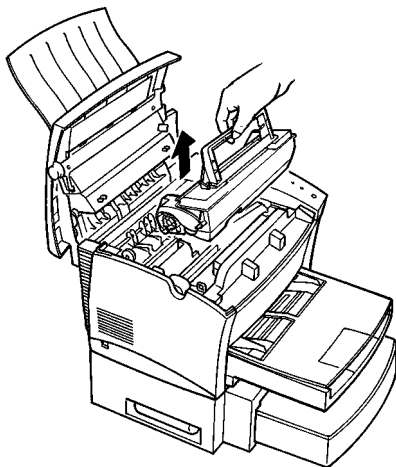
Caution

- The fuser unit inside the printer can become very hot during operation. Do not touch the area to avoid injury.

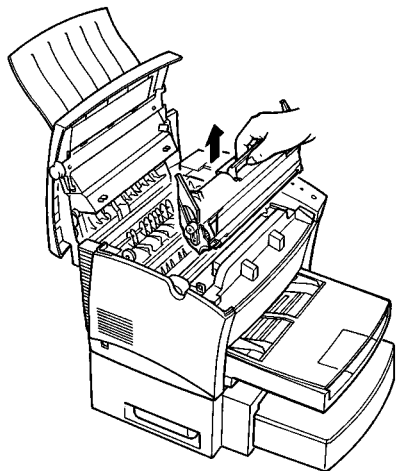
1. Press the top cover release button and open the top cover.



2. Remove the toner cartridge.



3. Remove the old drum cartridge.



Note

- The drum cartridge is made up of non-hazardous materials, and can be disposed of freely. Check local regulations in your area concerning disposal of such items.

Replacing the Drum Cartridge

4. Remove the drum cartridge from the box it comes packed in.

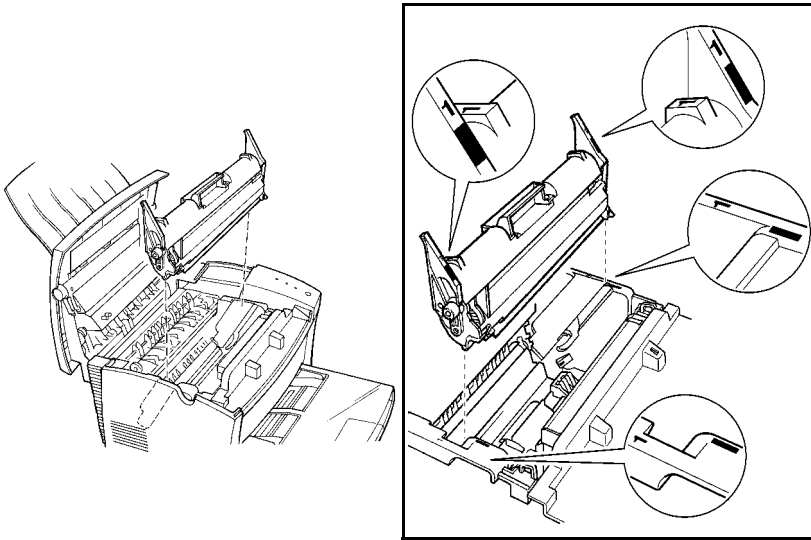
Note

- If you do not plan to immediately install the drum cartridge into the printer, cover it with a cloth to protect it against overexposure to light.

5. Install the drum cartridge into the printer, aligning the guides of the cartridge with the grooves inside the printer.

Note

- Color coordinated “1” labels have been affixed to the drum cartridge and to the inside of the printer. Install the drum cartridge by aligning these labels.



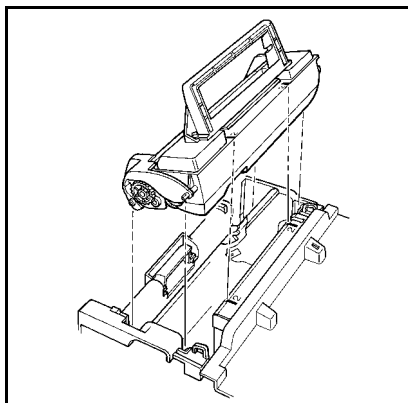
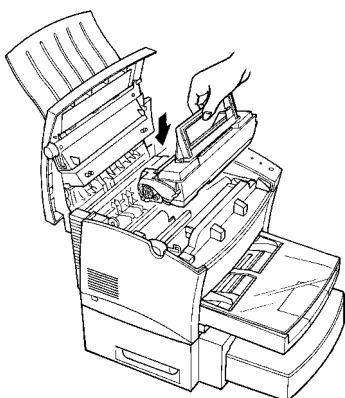
Note

- Make sure the drum cartridge is inserted inside the printer as far as it will go.

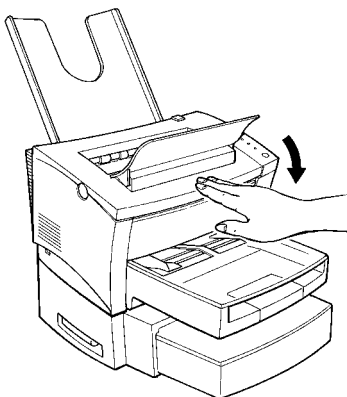
6. Holding onto the toner cartridge's handle, lower it into the printer. Make sure that the four pins (two on each side) fit into the grooves inside the printer. The cartridge will click into place when it is completely installed.

Note

- Color coordinated “2” labels have been affixed to the toner cartridge and to the inside of the printer. Install the toner cartridge by aligning these labels.



7. Close the top cover and press it down gently but firmly until it locks into place.



To reset the counter of the drum cartridge

Perform the following procedure to reset the drum cartridge counter after you replace the drum cartridge.



1. While holding down the control panel button, turn on the printer. Keep the button depressed for about five seconds. After all the indicator lights start to blink, release the control panel button.



2. While the indicator lights are blinking, briefly press the control panel button twice. This causes the Paper indicator (amber) to blink and all the other indicators to turn off.



3. Hold down the control panel button again for at least five seconds. After that, release the button, which causes all indicator lights to blink again, indicating that the drum cartridge counter is reset.
4. Turn off the printer. The printer will be ready to print the next time you turn it on.

Cleaning the Printer

Dust, dirt, and paper debris on the outer surfaces and inside the printer can interfere with printer performance. Clean the printer regularly.

Note

- Use a soft cloth to clean the printer. Never use abrasives or corrosive detergents.

Caution

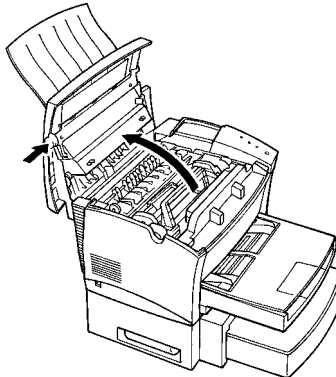
- The fusing unit can become very hot during operation. Do not touch the area to avoid injury. Wait for at least 10 minutes after the printer has been turned off and make sure that the fusing unit has cooled before cleaning the interior of the printer.

Cleaning the Outside of the Printer

Wipe the outside of the printer with a soft cloth moistened with a neutral, household detergent.

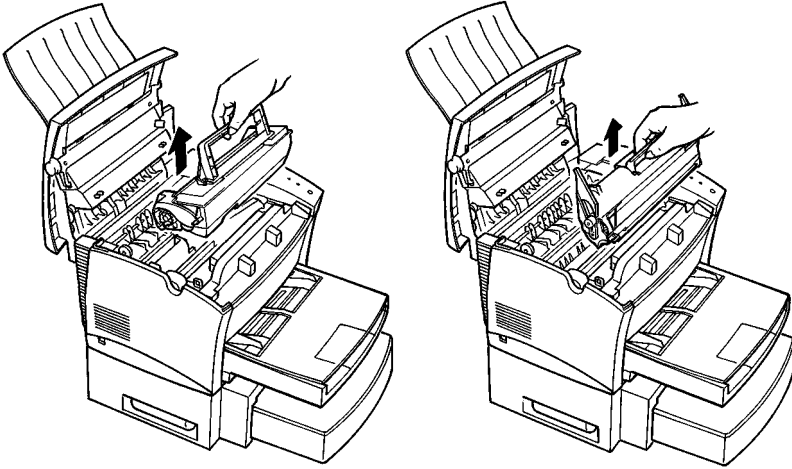
Cleaning the Paper Transport Roller

1. Turn off the printer and unplug the power cord.
2. Press the top cover release button and open the top cover.



Cleaning the Printer

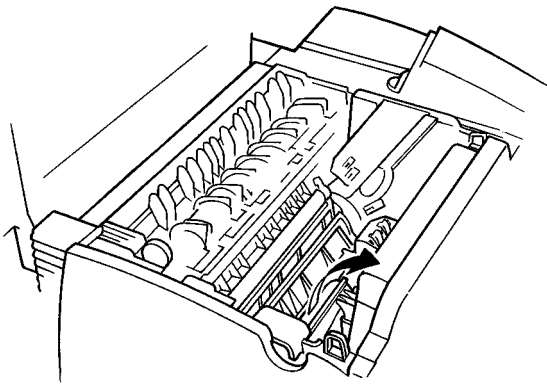
3. Remove the toner cartridge and the drum cartridge.



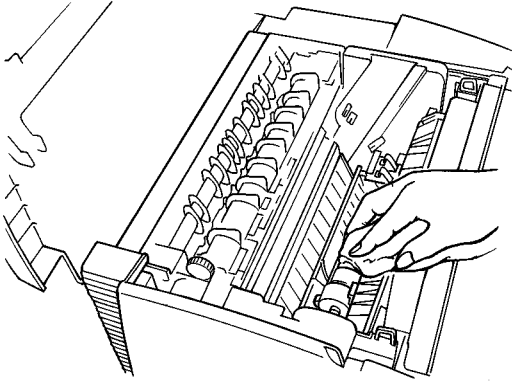
Note

- Immediately wrap the drum cartridge with a cloth to protect it against overexposure to light.

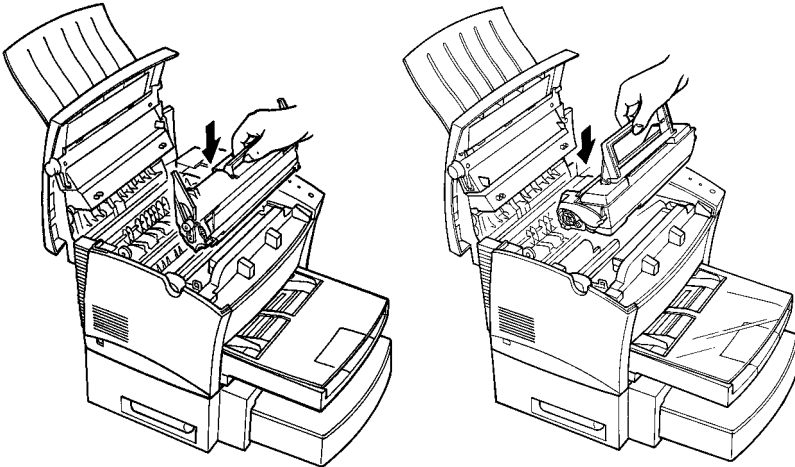
4. Pull back on the cover that protects the paper transport roller located at the bottom of the printer chamber.



5. Use a soft cloth to wipe the paper transport roller.

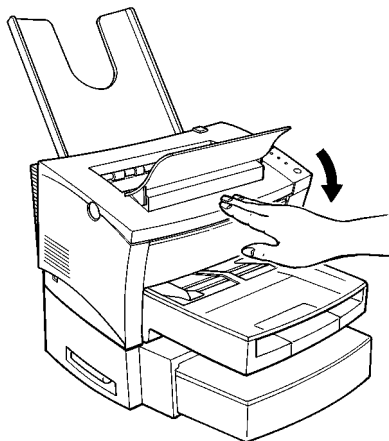


6. Reinstall the drum cartridge and toner cartridge as shown on page 6-8 and 6-9.



Cleaning the Printer

7. Close the top cover and press it down gently but firmly until it locks into place.



Chapter

Troubleshooting

7

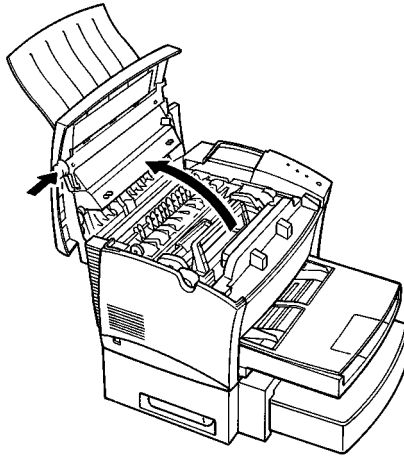
Clearing a Paper Misfeed

Use the following procedure to remove paper jammed inside the printer.

Caution

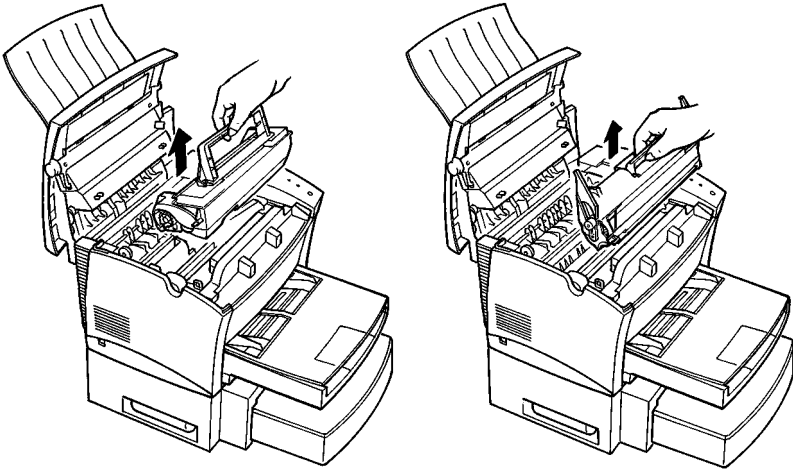
- The fusing unit inside the printer can become very hot during operation. Do not touch the area to avoid injury.

1. Press the top cover release button and open the top cover.



Clearing a Paper Misfeed

2. Remove the toner cartridge and the drum cartridge.



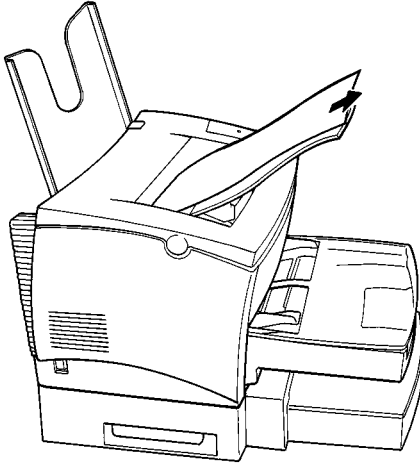
Note

- Immediately wrap the drum cartridge with a cloth to protect it against overexposure to light.

3. Clear the paper misfeed using one of the following procedures depending upon the location of the paper misfeed.

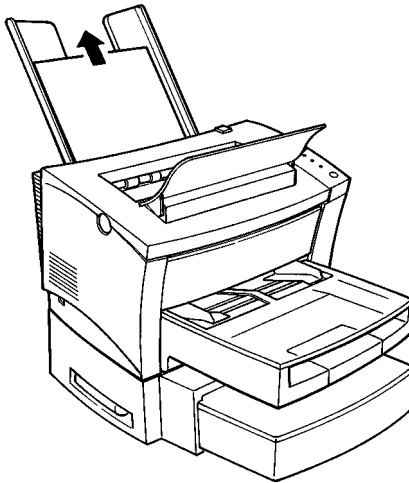
Paper Output Misfeed (Face-down tray)

Pull the jammed paper straight out of the printer.



Paper Output Misfeed (Face-up tray)

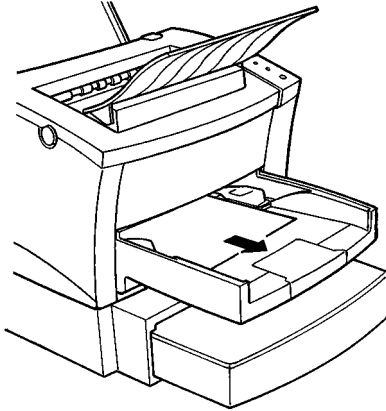
Pull the jammed paper straight out of the printer.



Clearing a Paper Misfeed

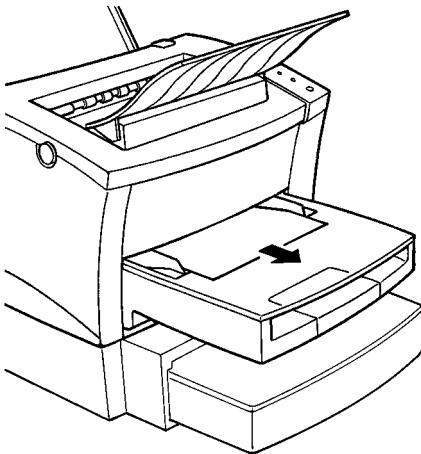
Paper Input Misfeed (from Tray 1)

Remove the tray cover and pull the jammed paper straight out of the printer.



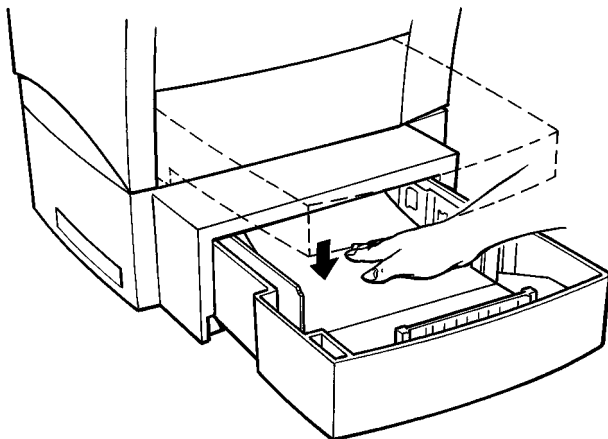
Paper Input Misfeed (from Manual Feed Tray)

Pull the jammed paper straight out of the printer.

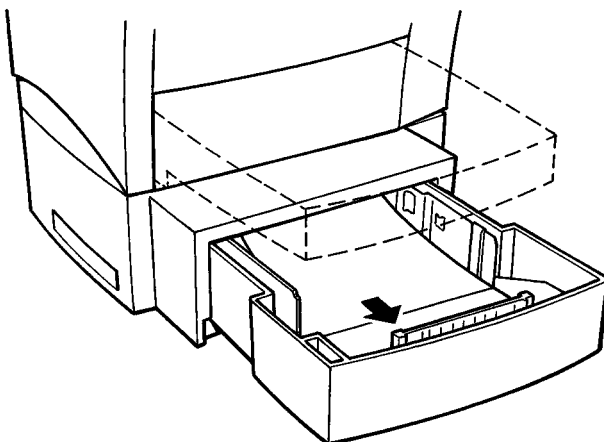


Paper Input Misfeed (from Second Paper Cassette Unit)

Remove the cassette cover and pull out Tray 2 from the second paper cassette unit. Press down on the stack of paper until the paper lifting plate locks.



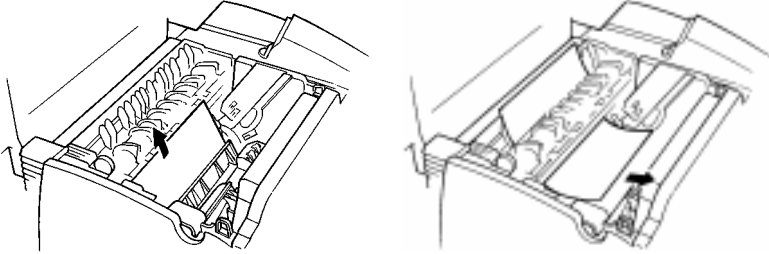
Remove the stack of paper from the tray and pull the jammed paper straight out of the printer.



Clearing a Paper Misfeed

Inside the Printer

Pull the end of the paper that is visible straight out of the printer.

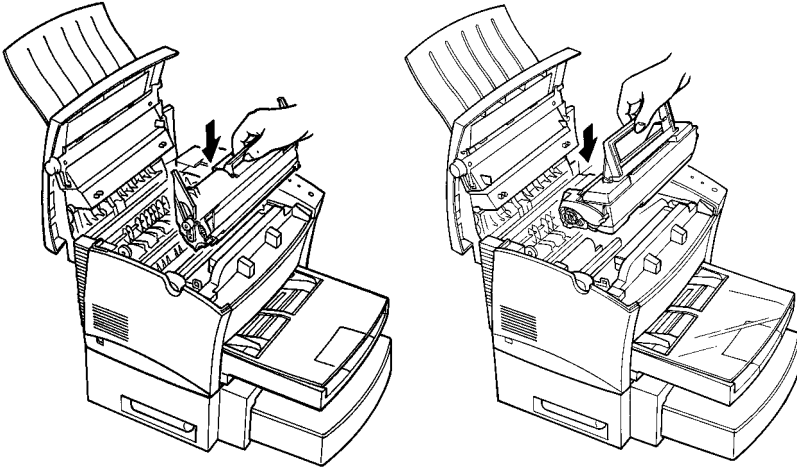


Caution

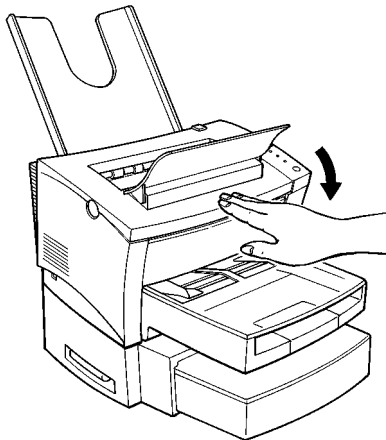
- Do not touch the image transfer roller.

Clearing a Paper Misfeed

4. Reinstall the drum cartridge and toner cartridge as shown on page 6-8 and 6-9.



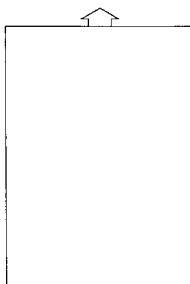
5. Close the top cover and press it down gently but firmly until it locks into place.



Print Quality Problems

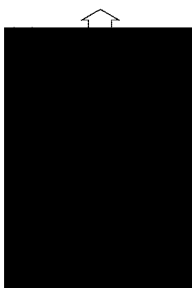
The following provides information on most print quality problems you might encounter. If the advice provided here does not solve your problem, contact Minolta dealer.

Blank pages



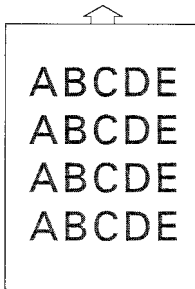
- The toner cartridge may be running out of toner.
Remove the toner cartridge and rock it left and right a few times to distribute remaining toner. If the problem persists, replace the toner cartridge (page 6-1).
- The toner cartridge may be defective.
Remove the toner cartridge and check it for damage. Replace the toner cartridge if necessary (page 6-1).

Black pages



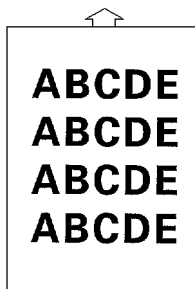
- The toner cartridge may be defective.
Remove the toner cartridge and check it for damage. Replace the toner cartridge if necessary (page 6-1).
- Your printer may require servicing. Contact Minolta dealer.

Printout too light



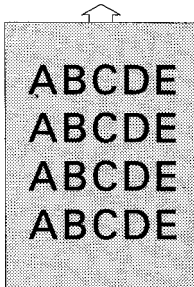
- The toner density setting of the printer driver may be “Save toner”.
Change the setting and try printing again.
- The toner cartridge may be running out of toner.
Remove the toner cartridge and rock it left and right a few times to distribute remaining toner.
If the problem persists, replace the toner cartridge (page 6-1).
- The toner cartridge may be defective.
Remove the toner cartridge and check it for damage. Replace the toner cartridge if necessary (page 6-1).

Printout too dark



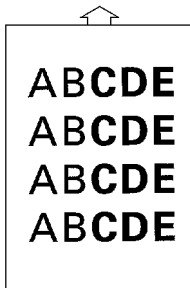
- The toner cartridge may be defective.
Remove the toner cartridge and check it for damage. Replace the toner cartridge if necessary (page 6-1).

Blurred background



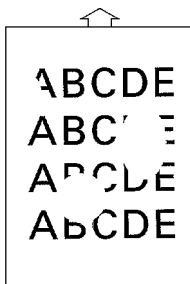
- The toner cartridge may be defective.
Remove the toner cartridge and check it for damage. Replace the toner cartridge if necessary (page 6-1).

Uneven print density



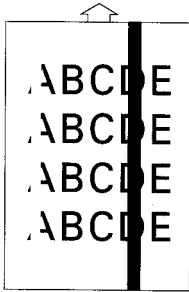
- The toner may be unevenly distributed inside the toner cartridge.
Remove the toner cartridge and rock it left and right a few times to distribute remaining toner.
- The drum cartridge may be defective.
Remove the drum cartridge and check it for damage. Replace the drum cartridge if necessary (page 6-6).

Irregularities



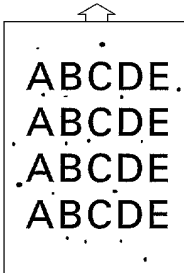
- The paper may have absorbed some moisture due to high humidity or because of direct contact with water.
Since toner will not adhere well to wet paper, replace the paper you are using with dry paper and try printing again.

White or black line



- The toner cartridge or drum cartridge may be defective. Remove the cartridges and check them for damage. Replace cartridges if necessary.

Toner smudges



- The toner may be unevenly distributed inside the toner cartridge. Remove the toner cartridge and rock it left and right a few times to distribute remaining toner.
- The toner cartridge or drum cartridge may be defective. Remove the cartridges and check them for damage. Replace cartridges if necessary.
- Smudges on the back of the paper indicate a dirty transport roller. Contact Minolta dealer.

No output

Failure to produce output may indicate a communications problem between the printer and your computer. Check the following points to see if you can correct the problem. If problems persist, contact Minolta dealer.

Are you using the correct type of printer cable?

Save the data you are trying to print and close all the applications currently open on your computer. Next, reset your computer to send a break signal to the printer. Now check your printer cable against the specifications in Chapter 8 of this *User's Manual*.

Note

- When connecting your computer to the parallel connector on the printer, we recommend using a IEEE1284-compliant parallel interface cable (1.5 m long).

Are your computer's communications port settings correct?

Refer to the documentation that comes with your computer and check if its current communications port settings are correct.

Chapter

Specifications

8

PagePro 8e Printer

Type:	Desktop laser beam printer
Print system:	Electrostatic dry powder imaging system
Exposure system:	Laser diode + polygon mirror scanning
Resolution:	600 dpi
Print speed:	8 pages per minute (A4-size paper)
First print:	Within 19 seconds (Letter or A4)
Paper sizes:	A4, A5, JIS B5, DL Envelope, C5 Envelope, B5 Envelope, Letter, Legal, Executive, Com 10 Envelope, Monarch Envelope, Custom
Media:	Plain paper (60 to 90 g/m ² ; 16 to 24 lbs.); recycled paper (60 to 90 g/m ² ; 16 to 24 lbs.); transparencies; letter head; labels; envelopes; postcards; thick paper (90 to 163 g/m ² ; 24 to 43 lbs.)
Paper feeding:	Tray 1 (Multipurpose tray); manual feed; Tray 2 (500-sheet second cassette)
Input capacity:	Tray 1 (Multipurpose tray): 150 sheets; Tray 2 (Second cassette): 500 sheets
Output capacity:	100 sheets (face down) 20 sheets (face up)
Warm-up time:	20 seconds or less
Operating temperature:	10° to 35°C
Operating humidity:	15 to 85%
Power consumption:	580 W or less
Amperage:	3.0 A or less (220 - 240 V)
Machine life:	150,000 prints or five years

Toner cartridge life:	3,000 or 6,000 prints min. (black-to-white ratio of 5% or less)
Drum cartridge life:	20,000 prints min. (black-to-white ratio of 5% or less)
Power supply:	220 - 240 V, 50 - 60 Hz
Acoustic noise:	62 dB(A) max. (operating); 30 dB(A) max. (power saving mode)
External dimensions:	
Height:	9-2/3" (246 mm)
Width:	15-1/2" (394 mm)
Depth:	11-2/5" (290 mm)
Weight:	Approx. 15-2/5 lbs. (7 kg)
Interface:	Parallel Centronics (IEEE 1284/ECP and Nibble) IrDA/Ver.1.1 (4Mbps) port (option)
CPU:	Intel i80960JF/25 MHz
Standard memory:	2 MB (expandable up to 34 MB)
Accessories:	Toner cartridge, drum cartridge, power cord, User's Manual, Quick Guide, CD-ROM
Options:	NIC (Network Interface Card); Infrared port; SIMM (options available from local dealer)

Second Paper Cassette Unit

Paper feeding system:	One-way system (multi-feed tray)
Paper types:	Ordinary plain paper (60 to 90 g/m ² ; 16 to 24 lbs.); recycled paper (60 to 90 g/m ² ; 16 to 24 lbs.)
Paper cassettes:	A4, B5, Letter, Legal, Executive
Tray capacity:	Up to 500 sheets (plain and recycled paper)
Operating temperature:	10° to 35°C
Operating humidity:	15% to 85%
Weight:	Approximately 8-2/3 lbs. (4 kg) except the Legal Cassette (Tray)

Interface Connector and Cable

Be sure to use only a parallel interface cable that meets the specifications described below.

Length:	Less than 10 feet (3 meters)
Connectors:	Printer: Parallel 36-pin connector
	PC: EIA 25-pin connector
Cable type:	Shielded. Each signal and ground pair should be twisted.
Pin assignments:	IEEE 1284 type-B connector

Note

- Minolta does not warrant the use of any particular cable. The user assumes all responsibility as to the quality and performance of the cable.

SIMM (Option)

You can expand printer memory by adding one single in-line memory module (SIMM). SIMMs are available from your local Minolta dealer.

Capacity:	1, 2, 4, 8, 16, 32 MB
Parity:	Non-parity
Type:	Fast page
Access speed:	70 ns or less
Number of Pins:	72

Appendix

Glossary

A

Glossary

The following definitions apply specifically to Minolta printers.

application

A software program that performs a particular function, such as generating graphics or spreadsheets.

ASCII

Acronym for American Standard Code for Information Interchange.

base weight

SEE *paper basis weight*.

bitmap

A text character or graphic image that is defined by a pattern of dots.

click

To press and release a mouse button quickly. Often used to select an object. SEE *double-click*.

control panel

A bank of indicators that show the current status of the printer. Panel buttons that are located on the *control panel* make it possible to perform a variety of different operations.

default

Settings that are preset in the absence of user-specified settings.

dialog box

A box that appears in order for the user to input information or settings required for the printer to operate.

display

What appears upon the screen of the computer.

dpi

Acronym for dots per inch. Refers to the resolution that the printer can produce through the measure of dots printed per inch.

double-click

Pressing a mouse button twice in quick succession while keeping the mouse in place. Often used to open a dialog or enable a function. SEE *click*.

drum cartridge

A part of the printer that picks up toner particles after they have been charged by the laser and then transfers the toner to the paper.

face down tray

This tray receives the printed documents, face down, as they are outputted from the printer. The tray can hold up to 100 sheets of paper.

face up tray

This tray receives the printed documents, face up, as they are outputted from the printer. The tray can hold up to 20 sheets of paper.

face up/face down selection switch

This switch is used to specify the facing (output) direction of documents as they are output from the printer. When the optional Face up tray is installed, the position of this switch determines whether documents are output from the printer facing up (to Face up tray) or facing down (to Face down tray).

500-Sheet Second Cassette

SEE *Tray 2*.

fusing unit

A part of the printer that fixes the toner image onto the paper.

gray scale

A series of shades ranging from black to white used to add detail to photo or scanned images, etc.

halftone

A printing technique using a pattern of dots to compose an image. Also known as dithering.

icon

A graphic image on the screen that represents an element.

Image transfer roller

The part inside a page printer that transfers the image from the photoconductive drum to the paper.

Infrared Data Association (IrDA)

An organization that sets and supports hardware and software standards for infrared communication links such as computing, communications and consumer devices.

infrared port

Supports the printing of data from a portable device that is equipped with an IrDA-compliant infrared port. SEE *Infrared Data Association*.

laser printer

A high-resolution peripheral used to print text and graphics onto paper or other media. A rotating disk is used to reflect laser beams onto a photosensitive drum; the image of the page is then transferred via electrostatic charged toner. The final image is fused onto a piece of charged paper using heat as it is rolled against the drum, setting the toner onto the paper (or other media).

manual feed tray

An external bay for loading paper into the printer manually.

N-up printing

A series of printer settings that produces multiple, reduced documents on one sheet of paper.

off line

A state in which the printer cannot receive data or perform any other operation.

on line

A state in which the printer can receive data and operate.

operating system

A program or group of programs that control the functions of the computer and its peripheral devices such as the printer.

paper basis weight

The standard for specifying paper weight. The metric standard, applicable to all grades of paper is gm/m².

paper size guide(s)

Left and right sliding, adjustable holders that secure the paper onto the paper tray.

paper support

A expansion tray for long-sized paper to be placed on the Tray 1.

paper transport roller

A rolling mechanism that carries the paper through the various functions of the printer during the printing process.

parallel interface

An output/input port utilizing multiple data circuitry.

parallel interface connector

A connector that enables the transfer of data between the printer and the computer.

peripheral device

Any device that can be attached to the computer, such as a printer.

power cord socket

Connects the power cord and the printer.

power switch

Turns power to the printer on and off.

printer

A peripheral device that outputs data from a computer onto paper or other media.

printer driver

A software file that manages commands to the printer.

Print Manager

An application that manages the print queue and the print file.

output tray

SEE *face down tray* and *face up tray*.

RAM

Acronym for random-access memory.

resolution

SEE *dpi*.

ROM

Acronym for read only memory.

screen font

A typeface that can be displayed on the computer's monitor.

second paper cassette unit

A tray unit that feeds an additional 500 sheets of paper to the printer.

SIMM

Acronym for single in-line memory module.

toner

Ink in the form of a plastic powder that is contained in a cartridge.

toner cartridge

A tube shaped cartridge containing toner powder that is used during the printing process.

top cover

A cover attached to the printer that swings open by pressing a release button. Opening the cover provides easy access to the interior of the printer to perform basic maintenance procedures including the installation and replacement of toner/drum cartridges as well as clearing paper misfeeds.

top cover release button

This button releases the hinge that locks the cover of the printer. SEE *top cover*.

Tray 1

A tray that can hold up to 150 sheets of paper for feeding into the printer.

Tray 2

Five types of Tray 2 cassettes can be installed into the second paper cassette unit (SEE *second paper cassette unit*). Each cassette can hold up to 500 sheets of one of the following paper sizes: A4, B5, Legal, Letter and Executive.

typeface

Refers to the design of a font.

watermark

A superimposed line of text or graphic upon a printed document.

Appendix

Index

B

A

- Accessories 1-2
- Additional Accessories 5-18

B

- Black pages 7-8
- Blank pages 7-8
- Blurred background 7-10

C

- Cleaning
 - Paper Transport Roller* 6-11
 - The Outside* 6-11
- Cleaning the Printer 6-11
- Clearing a Paper Jam 7-1
- Common Buttons 4-65, 4-12
 - About* 4-12
 - Cancel* 4-12
 - Default* 4-12
 - Help* 4-12
 - OK* 4-12
- Configuration 5-18
- Configuration Print 5-16
- Configuration Screen 4-78
- Connecting the Power Cord 2-14
- Connecting to a Computer .. 2-20
- Control Panel 1-4, 1-11
 - Under Windows 3.1* 5-10
 - Under Windows 95* 5-9

- Control Panel Button 1-7
- Counter 5-17
 - Resetting the counter of the drum cartridge* ... 6-10
 - Resetting the counter of the toner cartridge* 6-5
- Counter Screen 4-76
- Custom Paper Size Dialog .. 4-48

D

- Demo Page Print 5-16
- Detect Size Error 5-15
- Device Option 4-54
- Direct Connection
 - to Network Port (LPR) 4-24
 - to Parallel Port (LPT) 4-19
- Displaying the Driver Setup Dialog
 - Under Windows 95* 4-7
 - Under Windows 3.1* 4-15
 - Under Windows NT4.0* .. 4-41
- DOS Printing Utilities 4-63
- Drum cartridge
 - Replacing* 6-6
- Drum Counter 5-17

F

- Face Up-Tray 2-11
- Features 1-1

Index

<i>Hardware</i>	1-1	Introduction	4-1
<i>Software</i>	1-1	IrDA Unit	2-24
Fit to Paper Dialog	4-58	Irregularities	7-10
Font Selection Screen	4-74		
Fonts	4-52	L	
Functions	4-53	Loading and Unloading	
		the Status Display	4-64
G		Loading Paper	2-15, 3-2
Grounding	2-3	Loading Paper onto	
		the Tray 1	3-2
		Loading Paper onto Tray 2 ...	3-5
I			
Indicator Lights	1-4	M	
Infrared port		Manual Paper Feed	3-9
<i>Printing</i>	2-25		
Infrared Port (Option)	2-24	N	
Installation from a		Network Interface Card	
Floppy Diskette	4-83	(NIC)	2-27
Installation Precautions	2-1	No output	7-12
Installing DOS Printing		N-Up Setting Dialog	4-57
Utilities	4-63		
Installing the		O	
Face-Down Tray	2-7	Operating Environment	2-4
Installing the Printer		Operational Precautions	2-4
Driver	4-2, 4-17	Options	2-21
<i>Under Windows 3.1</i>	4-9	Other Screen	4-78
<i>Under Windows 95</i>	4-2	Output Quality Screen	4-75
<i>Under Windows NT4.0</i>	4-17		
Installing Tray1	2-7		
Interface Connector and			
Cable	8-4		

P

- PagePro 8e Printer 8-1
- Paper 4-46, 4-56, 5-13
- Paper Time Out 5-13
- Power Source 2-2
- Print Quality Problems 7-8
- Print the List of
- Resident Fonts 5-16
- Printer 2-4
- Printer Access through a
Network Print Server 4-32
- Printer Control Panel
(DOS) 4-65
 - Accessing* 4-65
 - Exiting* 4-65
 - Get around* 4-67
 - Printing a test page or
demo page* 4-70
 - Screens* 4-71
- Printer Name 5-18
- Printer Parts and Accessories 1-2
- Printer Setting 5-15
- Printer Supplies 2-6
- Printing on Envelopes 3-11
- Printing Paper 3-1
- Printout too dark 7-9
- Printout too light 7-9
- Priority Feed 5-14
- Profiles 4-78
 - To open* 4-69
 - To save* 4-68

Q

- Quality 4-50

R

- Replacing
 - Drum Cartridge* 6-6
 - Toner Cartridge* 6-1

S

- Second Paper Cassette
Unit 2-9, 8-3
- Selecting a Location for
the Printer 2-1
- Setting-Up 2-7
- Setup Screen 4-72
- SIMM (Option) 8-5
- SIMM (Single In-line
Memory Module) 2-21
- Size 3-1
- Space Requirements 2-3
- Starting Up the Control Panel 5-8
- Starting Up the Status
Display 5-1
- Status Display 4-80, 5-4
 - Under Windows 3.1* 5-3
 - Under Windows 95* 5-2
- Status Display Setup
Menu 4-81
- System Requirements 4-1

Index

T

- White or black line 7-11
- Test Print 5-16
- Testing the Printer 2-18
- Toner cartridge
 - Replacing* 6-1
- Toner Counter 5-17
- Toner smudges 7-11
- Total Counter 5-17
- Total Memory 5-18
- Tray 1 Setting 5-14
- Tray 2 Counter 5-17
- Turning on the Printer 2-17
- Type 3-1

U

- Uneven print density 7-10
- Uninstalling the Printer Driver
 - Under Windows 3.1* 4-14
 - Under Windows 95* 4-5
 - Under Windows NT4.0* . 4-39
- Using the Driver Setup Dialog 4-44
- Using the Enhanced Driver Setup Dialog 4-55
- Using the Printer Driver Under Windows 4-43

W

- Watermark Dialog 4-59

General

Information

CE Marking (Declaration of Conformity)

We declare under sole responsibility that the Laser Beam Printer and Options to which this declaration relates is in conformity with the below specifications.

This declaration is valid for the area of European Community (EC) only.

Product Type	Laser Beam Printer
Product Name	PagePro 8e
Options	Network Interface Card, Infrared port, SIMM (s)

Safety: EN 60950 / A4 1997, EN 60825 / A11 1997
(Safety of information technology equipment, including electrical business equipment)

EMC: EN 55022 (Class B) / 1994
(Limits and method for measurement of radio disturbance characteristics of information technology equipment (ITE))
EN 61000-3-2 Harmonic Current Emission (Harmonics)
EN 61000-3-3 Voltage Fluctuations (Flicker)

EN 55082-1 / 1992
(Electromagnetic compatibility - Generic immunity standard
Part 1: Residential, commercial and light industry)

IEC 801-2 / 1991 (Electrostatic discharge requirement)
IEC 801-3 / 1984 (Radiated electromagnetic field requirement)
IEC 801-4 / 1988 (Electrical fast transient / burst requirement)

Note: This product was designed for operation in a typical office environment.

EC Directives

Safety: 73 / 23 / EEC and 93 / 68 / EEC / Year of first marking with CE: 1998

EMC: 89 / 336 / EEC and 93 / 68 / EEC

END USER LICENSE AGREEMENT



PLEASE READ CAREFULLY THE LICENSE AGREEMENT BELOW BEFORE OPENING THIS PACKAGED SOFTWARE. OPENING THIS PACKAGE INDICATES YOUR ACCEPTANCE OF THE TERMS AND CONDITIONS BELOW. IF YOU DO NOT AGREE WITH THEM, YOU SHOULD PROMPTLY RETURN THE PACKAGE UNUSED.

1. SOFTWARE

"Software" means the computer program contained in this package (which may include digitally encoded, machine readable, scalable outline font data as encoded in a special format), together with all codes, techniques, software tools, format, design, concepts, methods and ideas associated with the computer program and all documentation related thereto.

2. LICENSE AGREEMENT

This is a license agreement and not an agreement for sale. Minolta owns, or has been licensed from other owners, copyrights in the Software. Except as stated in this Agreement, you are not granted any rights to patents, copyrights, trade names, trademarks (whether registered or unregistered), or any other rights, franchises or licenses in respect of the Software. Title to the Software and any copy made from it is retained by Minolta or such other owners.

3. LICENSE

Minolta, hereby grant to you, and you agree to accept a non-exclusive, non-transferable and limited license and you may:

- (1) install and use the Software on a single computer and one associated Minolta product.
- (2) use the Software only for your own customary business or personal purposes.
- (3) make a copy of the Software for backup or installation purposes only in support of the normal and intended use of the Software.
- (4) transfer possession of copies of the Software to another party by transferring a copy of this Agreement and all other documentation along with at least one complete unaltered copy of the Software, provided that (i) you must, at the same time, either transfer to such other party or destroy all your other copies of the Software. (ii) such transfer of possession terminates your license from Minolta, and (iii) such other party shall accept and be bound by these license terms by its initial use of the Software.

4. RESTRICTIONS

- (1) You shall not without the written consent of Minolta:
 - (i) use, copy, modify, merge or transfer copies of the Software except as provided herein.
 - (ii) reverse assemble or reverse compile the Software except as permitted by law; or
 - (iii) Sublicense, rent, lease or distribute the Software or any copy thereof.
- (2) You shall not export or re-export the Software in any form under violation of export restrictions by the government of your country.

5. LIMITED WARRANTY

Minolta warrants the media on which the Software is recorded to be free from defects in materials and workmanship under normal use. Warranty details and limitations for the Hardware containing the Software are described in the Statement of Limited Warranty which was supplied with the hardware. With the exception of the foregoing express warranties applicable to hardware and media only, the Software is not warranted and is provided "AS IS".

SUCH WARRANTIES ARE IN LIEU OF ALL OTHER WARRANTIES, EXPRESS OR IMPLIED, INCLUDING, BUT NOT LIMITED TO, THE IMPLIED WARRANTIES OF MERCHANTABILITY AND FITNESS FOR A PARTICULAR PURPOSE.

6. LIMITATION OF REMEDIES

IN NO EVENT WILL MINOLTA BE LIABLE FOR ANY LOST PROFITS, LOST DATA, OR ANY OTHER INCIDENTAL OR CONSEQUENTIAL DAMAGES THAT RESULT FROM USE OR INABILITY TO USE THE SOFTWARE, EVEN IF MINOLTA OR ITS AUTHORISED REMARKETERS HAVE BEEN ADVISED OF THE POSSIBILITY OF SUCH DAMAGES OR FOR ANY CLAIM BY YOU BASED ON A THIRD PARTY CLAIM.

7. TERMINATION

You may terminate your license at any time by destroying the Software and all your copies of it or as otherwise described in these terms. Minolta may terminate your license if you fail to comply with these terms. Upon such termination, you agree to destroy all your copies of the Software.

8. GOVERNING LAW

This Agreement shall be governed by the laws of the country where the delivery is made to the original customer.

9. GOVERNMENT END USERS

If you are acquiring the Software on behalf of any unit or agency of the United States Government, the following provisions apply. Use, duplication or disclosure by the Government is subject to restrictions as set forth in the Rights in Technical Data and Computer Software clause at FAR 252.227-7013, subdivision (b)(3)(ii) or subparagraph (c)(1)(ii), as appropriate. Further use, duplication or disclosure is subject to restrictions applicable to restricted rights software as set forth in FAR 52.227-19(c)(2).

YOU ACKNOWLEDGE THAT YOU HAVE READ THIS AGREEMENT, UNDERSTAND IT, AND AGREE TO BE BOUND BY ITS TERMS AND CONDITIONS. NEITHER PARTY SHALL BE BOUND BY ANY STATEMENT OR REPRESENTATION NOT CONTAINED IN THIS AGREEMENT. NO CHANGE IN THIS AGREEMENT IS EFFECTIVE UNLESS WRITTEN AND SIGNED BY PROPERLY AUTHORISED REPRESENTATIVES OF EACH PARTY. BY OPENING THE PACKAGE, YOU AGREE TO ACCEPT THE TERMS OF THIS AGREEMENT.

Contrat utilisateur de la licence

F

LISEZ ATTENTIVEMENT LE CONTRAT DE LA LICENCE CI-DESSOUS AVANT D'OUVRIRE L'EMBALLAGE CONTENANT LE LOGICIEL. L'OUVERTURE DE CET EMBALLAGE SIGNIFIE QUE VOUS ACCEPTEZ LES CONDITIONS QUI SE TROUVENT CI-DESSOUS. SI VOUS LES RÉFUTEZ, MERCI DE NOUS RETOURNER L'EMBALLAGE NON DÉBALLÉ DANS LES PLUS BREFS DÉLAIS.

1. Le logiciel

'Logiciel' veut dire le programme de l'ordinateur contenu dans cet emballage (ce qui peut comprendre les décodeurs numériques, lecteurs électroniques...) ainsi que tous les codes, les techniques, les périphériques, les formats, les designs, les concepts, les méthodes et les idées associés au programme de l'ordinateur et toute la documentation qui s'y rattache.

2. Le contrat de licence

Ceci est un contrat de licence et non un contrat de vente. Minolta possède ou a obtenu une licence d'autres propriétaires, des droits de reproduction dans le domaine des logiciels. A l'exception de ce qui est indiqué dans cet accord, vous n'avez aucun droit sur les brevets, les droits de reproduction, les noms de marque (enregistrés ou pas), ni aucun autre droit, franchise ou licence vis à vis de ce logiciel. Le titre de ce logiciel et tout autre copie faite à partir de celui-ci sera gardé par Minolta, ou d'autres propriétaires.

3. La licence

Par la présente Minolta vous accorde (et vous acceptez) une licence limitée, non exclusive et non transférable, ce qui vous autorise à :

1. Installer et utiliser le logiciel sur un seul ordinateur et relié au produit Minolta.
2. Utiliser le logiciel pour vos propres besoins professionnels et personnels.
3. Faire une copie du logiciel par mesure de sécurité, ou pour des besoins d'installation, seulement dans la cadre de l'utilisation normale et prévue du logiciel.
4. Transférer la propriété des copies du logiciel à une tierce personne, et en transférant une copie de cet accord et toute autre documentation, en même temps qu'une copie au moins de ce logiciel (sans modification), étant entendu que (i) vous avez par la même occasion, soit tout transmis à cette tierce personne, soit détruit toutes vos autres copies du logiciel. (ii) Un tel transfert met fin à votre propre licence auprès de Minolta et, (iii) donc lie le nouveau propriétaire aux conditions de la licence dès le début de l'utilisation du logiciel.

4. Les restrictions.

- (1) Sans l'accord écrit de Minolta vous ne devez pas :
 - (i) Utiliser, copier, fusionner, ou transférer des copies du logiciel, sauf s'il s'agit de cas prévus dans ce contrat. (ii) Déprogrammer et re-programmer le logiciel en dehors des limites prévues par la loi, ou (iii) Distribuer, louer ou sous louer le logiciel ou sa copie.
- (2) Vous ne devez pas exporter ou réexporter le logiciel sous aucune forme, sous peine de violation des restrictions exports imposées par le gouvernement de votre pays.

5. Une garantie limitée.

Minolta garantie le support sur lequel le logiciel est enregistré contre tout défaut matériel ou de fabrication, dans les conditions normales d'utilisation.

Les détails et limites de la garantie concernant le matériel qui contient le logiciel sont décrits sur la déclaration de garantie limitée fournie avec le matériel informatique. A l'exception des garanties expresses en vigueur, applicables au matériel informatique et audiovisuel uniquement, le logiciel n'est pas garanti et est fourni «tel-quel».

De telles garanties existent à la place de toutes autres garanties, expresses ou tacites, y compris mais non pas limitées aux garanties tacites de ventes et bon fonctionnement dans un but bien précis.

6. Etendue des responsabilités

EN AUCUN CAS, MINOLTA NE POURRA ÊTRE DÉSIGNÉ RESPONSABLE POUR PERTE DE PROFITS, PERTE DE DONNÉES, OU AUTRES DOMMAGES ACCIDENTELS OU CONSÉCUTIFS, DOMMAGES QUI RÉSULTENT DE L'UTILISATION OU DE LA MAUVAISE UTILISATION DU LOGICIEL, MÊME SI MINOLTA OU SES REVENDEURS LÉGAUX ONT ÉTÉ AVERTIS DE LA POSSIBILITÉ DE TELS DOMMAGES, OU POUR UNE RÉCLAMATION FAITE PAR VOUS AU NOM D'UNE TIERCE PERSONNE.

7. Résiliation du contrat.

Vous pouvez mettre un terme à votre licence à tout moment en détruisant le logiciel et toutes ses copies comme prévue dans le contrat, Minolta peut mettre fin à votre licence en cas de non respect du contrat.

Dans ce cas, vous acceptez de détruire toutes vos copies du logiciel.

8. La loi

Cet accord doit être soumis aux lois du pays où la livraison s'effectue, chez le client d'origine.

9. Contrat utilisation pour le gouvernement.

Si vous faites l'acquisition du logiciel au nom d'un service ou organisme du Gouvernement des Etats-Unis, les dispositions suivantes s'appliquent. Utilisation, duplication, ou divulgation sont sujettes aux restrictions mentionnées dans «Rights in Technical Data and Computer Software» FAR 252.227-7013, section (b)(3)(ii) ou chapitre (c)(1)(ii), as approprié. Toute utilisation supplémentaire, duplication ou divulgation est sujette aux restriction applicables aux droits restreints sur les logiciels définis dans FAR 52.227-19(c)(2).

VOUS RECONNAISSEZ AVOIR LU, COMPRIS LE PRÉSENT CONTRAT ET ACCEPTEZ D'ÊTRE LIÉ PAR SES CONDITIONS. AUCUNES DES PARTIES NE DOIT ÊTRE LIÉES PAR UNE MESURE OU PAR UNE DISPOSITION NE FIGURANT PAS DANS CE CONTRAT. TOUTE MODIFICATION DE CE CONTRAT NE SERA VALABLE QUE S'IL EST ÉCRIT ET SIGNÉ PAR LES REPRÉSENTANTS DÉSIGNÉS PAR CHAQUE PARTIE.

EN OUVRANT CET EMBALLAGE, VOUS ADHÉREZ AUX TERMES DE CE CONTRAT.

ENDVERBRAUCHER-LIZENZVERTRAG

D

Vor der Benutzung des beigefügten Produktes sind die nachstehenden Bedingungen sorgfältig zu lesen. Mit der Benutzung des Produktes erkennen Sie als Lizenznehmer die Bedingungen dieses Vertrages an. Wenn Sie mit den Bedingungen nicht einverstanden sind, senden Sie die ungeöffnete Packung umgehend zurück. Bei diesem Vertrag handelt es sich um einen Lizenzvertrag und nicht um einen Kaufvertrag. MINOLTA ist Inhaberin der Urheberrechte an dem Microcode, den Computerprogrammen und codierten Schriften einschließlich der Bitmap-Schriften und Konturschriften (nachfolgend insgesamt als „Software“ bezeichnet), die sich in diesem Minolta-Produkt befinden, oder MINOLTA besitzt die Lizenzen an den entsprechenden Urheberrechten anderer Inhaber. Der Lizenznehmer erwirbt keine Rechte an der Software. MINOLTA oder die genannten anderen Inhaber bleiben Inhaber der Rechte an der in der Packung enthaltenen Kopie der Software und jedweder von ihr angefertigten Kopie. Die Verantwortung für die Wahl zur Erzielung der gewünschten Ergebnisse, Installation, Benutzung und die mit der Software erzielten Ergebnisse liegt allein bei Ihnen als Lizenznehmer.

LIZENZ

Ihnen als Lizenznehmer ist es gestattet:

1. die Software auf einem Computer und einem angeschlossenen Minolta-Produkt zu installieren und zu benutzen;
2. ausschließlich zu Sicherungs- oder Installationszwecken eine Kopie der Software für die normale und beabsichtigte Erstellung zu benutzen. In diesem Fall ist der Lizenznehmer verpflichtet, auf der Kopie die sich auf der Software befindenden Vermerke über Urheberrecht und Warenzeichen entsprechend anzubringen;
3. das Eigentum an Kopien der Software an Dritte zu übertragen durch Überlassung dieser Vertragsausfertigung und des sonstigen dazugehörigen schriftlichen Materials sowie mindestens einer vollständigen, unveränderten Kopie der Software, wenn folgende Bedingungen erfüllt sind: **(i)** Wenn gleichzeitig alle anderen Kopien der Software des Erstlizenznehmers dem Dritten überlassen oder diese Kopien vernichtet werden, **(ii)** wenn mit der Übertragung des Eigentums der Lizenzvertrag des Erstlizenznehmers mit MINOLTA gekündigt wird und **(iii)** wenn der Dritte diese Lizenzbedingungen mit der erstmaligen Benutzung der Software annimmt und die entsprechenden vertraglichen Verpflichtungen eingeht;
4. die auf der Software vorhandenen Warenzeichen und den entsprechenden Vermerk über den Namen des Warenzeicheninhabers ausschließlich im Rahmen der anerkannten Praxis im Umgang mit Warenzeichen zu verwenden.

Dem Lizenznehmer ist nur mit schriftlicher Zustimmung von MINOLTA erlaubt:

1. Kopien der Software zu anderen als den hier ausdrücklich genannten Zwecken zu verwenden, anzufertigen, zu verändern, mit anderer Software zu mischen oder zu übertragen, 2. die Software zu entassemblieren oder entkompilieren, vorbehaltlich anderslautender gesetzlicher Bestimmungen oder 3. die Software oder eine Kopie davon zu vermieten, zu verleasen, zu übertragen oder eine Unterlizenz zu erteilen.

HAFTUNGSBESCHRÄNKUNGEN

MINOLTA gewährt bei sachgerechter Benutzung eine Garantie auf Material und Verarbeitung der Hardware, die die Software beinhaltet. Die Haftungsbedingungen und -beschrän-

kungen bezüglich der Hardware, die die Software beinhaltet, sind in den Gewährleistungsbedingungen aufgeführt, die mit der Hardware ausgeliefert wurden. Neben dieser Gewährleistung auf Hardware und Medien wird keine weitere Haftung für die Software übernommen. Die Software wird in dem Zustand geliefert, in dem sie sich bei der Übergabe befindet. Diese Gewährleistungen gelten anstelle etwaiger anderer ausdrücklicher oder stillschweigender Gewährleistungen einschließlich - jedoch nicht beschränkt hierauf - der gesetzlich vermuteten Gewährleistung bezüglich der Nutzung und Eignung der Software für einen bestimmten Zweck.

BESCHRÄNKUNG VON GEWÄHRLEISTUNGSANSPRÜCHEN

IN KEINEM FALL HAFTET MINOLTA FÜR ENTGANGENEN GEWINN ODER VERLORENE EINSPARUNGSMÖGLICHKEIT ODER GELEGENTLICH WEGEN DES GEBRAUCHS ENTSTANDENE ODER ANDERER FOLGESCHÄDEN, SELBST WENN MINOLTA ODER DIE AUTORISIERTEN HÄNDLER ÜBER MÖGLICHE SCHÄDEN DIESER ART UNTERRICHTET WURDEN. MINOLTA HAFTET AUCH NICHT FÜR ANSPRÜCHE DES LIZENZNEHMERS AUFGRUND EINES ANSPRUCHS EINES DRITTEN.

ALLGEMEINE BESTIMMUNGEN

Der Lizenznehmer kann den Lizenzvertrag jederzeit beenden, indem er sämtliche Kopien der Software vernichtet oder entsprechend anderweitiger Bestimmungen dieses Vertrages handelt. MINOLTA kann den Lizenzvertrag mit dem Lizenznehmer beenden, wenn dieser diese Bedingungen nicht einhält. In diesem Fall erklärt sich der Lizenznehmer damit einverstanden, alle Kopien der Software zu vernichten. Jedweder Versuch, eine Kopie der Software zu anderen als den hier ausdrücklich genannten Zwecken zu vermieten, zu verleasen, zu übertragen oder eine Unterlizenz hiervon zu erteilen, ist nichtig. Der Lizenznehmer erkennt hiermit an, daß er für die sich aus diesem Vertrag etwa ergebenden persönlichen Steuern haftet. Rechte aus diesem Vertrag können von den Parteien unabhängig von der Art der Ansprüche nur innerhalb von zwei Jahren nach Entstehen des Anspruchs geltend gemacht werden. Bei Verstößen gegen die Bestimmungen im Abschnitt unter der Überschrift „Lizenz“ gilt eine Frist von 4 Jahren. Für diesen Vertrag gilt im übrigen das Recht des Landes, indem dieses Produkt erworben worden ist.

LIZENZNEHMER REGIERUNG

Handelt der Lizenznehmer für eine oder im Auftrage einer Einrichtung der Amerikanischen Regierung, gelten die folgenden Bestimmungen: Nutzung, Vervielfältigung oder Offenlegung durch die Regierung unterliegt den Rights in Technical Data and Computer Software clause at FAR 252.227-7013, subdivision (b)(3)(ii) oder subparagraph (c)(1)(ii).

Eine Nutzung, Vervielfältigung oder Offenlegung darüberhinaus unterliegt den Bestimmungen der Restricted Rights Software in FAR 52.227-19(c)(2).

SIE ALS LIZENZNEHMER ERKLÄREN, DIESEN LIZENZVERTRAG GELESEN UND VERSTANDEN ZU HABEN. SIE ERKENNEN DIE LIZENZBEDINGUNGEN AN. WEDER SIE NOCH MINOLTA FÜHLEN SICH AN BEDINGUNGEN GEBUNDEN, DIE NICHT IN DIESEM VERTRAG ENTHALTEN SIND. ETWAIGE ERGÄNZUNGEN ODER ÄNDERUNGEN ZU DIESEM VERTRAG SIND NUR RECHTSGÜLTIG, WENN SIE SCHRIFTLICH NIEDERGELEGT UND UNTERSCHRIEBEN SIND VON AUTORISIERTEN VERTRETERN BEIDER PARTEIEN.

MIT DEM ÖFFNEN DER VERPACKUNG ERKENNEN SIE SÄMTLICHE PUNKTE DIESES VERTRAGES AN.

CONTRATTO DI LICENZA D'USO



LEGGETE ATTENTAMENTE IL CONTRATTO DI LICENZA SOTTO RIPORTATO PRIMA DI APRIRE IL PACCHETTO SOFTWARE. L'APERTURA DEL PACCHETTO DA PARTE VOSTRA INDICA LA VOSTRA ACCETTAZIONE DEI TERMINI E DELLE CONDIZIONI SOTTO RIPORTATE. IN CASO DI DISACCORDO, VI PREGHIAMO DI VOLER RESTITUIRE IMMEDIATAMENTE IL PACCHETTO ANCORA SIGILLATO.

1. SOFTWARE

“Software” significa il programma per computer contenuto in questo pacchetto (che potrebbe includere dati di font outline scalabili codificati digitalmente, leggibili dalla macchina come codificati in uno speciale formato), unitamente a tutti i codici, tecniche, strumenti di software, formato, design, concetti, metodi ed idee associate con il programma per computer e tutta la documentazione relativa.

2. CONTRATTO DI LICENZA

Il presente è un contratto di licenza e non un contratto di vendita. MINOLTA possiede, ovvero ha avuto la licenza da parte degli altri proprietari, i diritti di autore per il Software. Ad eccezione di quanto dichiarato nel presente Contratto, non avrete alcun diritto di brevetto, copyright, nomi di marchi, marchi di fabbrica (sia registrati o non registrati), o qualsiasi altro diritto, mandato di rappresentanza o licenza rispetto a questo Software.

3. LICENZA

Con il presente contratto MINOLTA conferisce licenza d'uso, non trasferibile né sub-licenziabile, del software descritto al punto uno (1), del presente contratto in base alla quale il licenziatario:

- (1) avrà facoltà d'installare ed usare il Software su un solo computer e una sola periferica Minolta.
- (2) avrà facoltà di usare il Software solo per la sua attività o per scopo personale.
- (3) avrà facoltà di fare una copia del Software a scopo di backup o di installazione solo come supporto del normale e stabilito uso del Software.
- (4) avrà facoltà di trasferire il possesso di copie del Software a terzi trasferendo contestualmente il presente contratto e tutta la documentazione relativa con almeno una copia completa e inalterata del Software, a patto che: (i) trasferisca a detti terzi e, al tempo stesso, distrugga tutte le altre copie del Software. (ii) Tale trasferimento di possesso fa terminare la licenza da parte di Minolta con il licenziatario, mentre (iii) detti terzi dovranno accettare e saranno legati da questi termini di licenza per quanto riguarda l'uso iniziale del Software.

4. OBBLIGHI DEL LICENZIATARIO

- (1) Il licenziatario, salvo consenso scritto di MINOLTA:
 - (i) non potrà usare, riprodurre, copiare, modificare in alcun modo, manipolare e trasferire le copie del Software al di fuori di quanto qui previsto.
 - (ii) non potrà eseguire “reverse assembling” o “reverse compiling” sul Software tranne quanto consentito dalla legge; oppure
 - (iii) non potrà sub-licenziare, cedere a terzi, noleggiare o distribuire il Software o copia dello stesso, salvo quanto previsto al punto tre (3) del presente accordo.
- (2) Il licenziatario non potrà esportare o riesportare il Software in nessuna forma pena la violazione delle restrizioni di esportazione dettate dal Governo locale.

5. GARANZIA LIMITATA

MINOLTA garantisce che i mezzi su cui il Software è registrato sono privi di difetti nei materiali e nella fabbricazione secondo un normale uso. I dettagli della garanzia e le limitazioni per l'Hardware contenente il Software sono descritti nella Dichiarazione di Garanzia Limitata che viene fornita insieme all'hardware. Con l'eccezione delle summenzionate garanzie espresse applicabili solamente all'hardware e ai mezzi, il Software non è garantito ma fornito "nello stato in cui trovasi".

TALI GARANZIE SONO IN LUOGO DI TUTTE LE ALTRE GARANZIE, ESPRESSE O IMPLICITE, INCLUSE, MA NON LIMITATE ALLE GARANZIE IMPLICITE DI COMMERCIALIZZABILITA' E DI IDONEITA' AD UNO SCOPO PARTICOLARE.

6. RESPONSABILITA' DELLA CONCEDENTE

IN NESSUN CASO MINOLTA SARA' RESPONSABILE PER QUALSIASI PERDITA DI PROFITTO, PERDITA DI RISPARMIO, O QUALSIASI DANNO ACCIDENTALE CHE RISULTI DALL'USO O DALL'INCAPACITA' D'USO DEL SOFTWARE, ANCHE SE MINOLTA O I SUOI CONCESSIONARI AUTORIZZATI SONO STATI AVVISATI DELLA POSSIBILITA' DI TALI DANNI O DI QUALSIASI RECLAMO DA PARTE DEL LICENZIATARIO BASATO SU UN RECLAMO DI TERZI.

7. RISOLUZIONE DEL CONTRATTO

Potete porre termine alla vostra licenza in qualsiasi momento distruggendo il Software e tutte le vostre copie, oppure come altrimenti descritto in questi termini.

Minolta può porre termine alla vostra licenza in caso mancate di rispettare questi termini. Resta inteso che all'atto di tale termine, voi distruggerete tutte le vostre copie del Software.

8. FORO COMPETENTE

Il presente contratto verrà regolato dalle leggi del Paese in cui è stata effettuata la consegna al cliente originale.

9. UTENTI FINALI GOVERNATIVI

Se state acquistando il Software per conto di qualsiasi ente od agenzia del Governo degli Stati Uniti, si applicano i seguenti provvedimenti. L'uso, la duplicazione o la divulgazione da parte del Governo sono soggetti alle restrizioni stabilite nella clausola "Rights in Technical Data" e in "Computer Software" in FAR 252.227-7013, sottodivisione (b)(3)(ii) o sottoparagrafo (c)(1)(ii) rispettivamente. Ulteriore uso, duplicazione o divulgazione sono soggetti alle restrizioni applicabili ai limitati diritti di software stabiliti nel FAR 52.227-19(c)(2).

PRENDETE ATTO CHE AVETE LETTO IL PRESENTE ACCORDO, CHE LO AVETE COMPRESO, E CHE CONCORDATE DI ESSERE LEGATI DA QUESTI TERMINI E CONDIZIONI. NESSUNA DELLE PARTI SARA' LEGATA DA ALCUNA DICHIARAZIONE O RAPPRESENTAZIONE NON CONTENUTA NEL PRESENTE CONTRATTO. NESSUN CAMBIAMENTO NEL PRESENTE CONTRATTO SARA' EFFETTIVO A MENO CHE NON VENGA SOTTOSCRITTO DAI RAPPRESENTANTI PROPRIAMENTE AUTORIZZATI DA CIASCUNA PARTE. APRENDO IL PRESENTE PACCHETTO, CONCORDATE DI ACCETTARE I TERMINI DEL PRESENTE CONTRATTO.

Addresses MINOLTA-Partners in Europe

Austria • Minolta Austria GmbH, Amalienstrasse 59-61, 1131
Wien ☎ 01-878-82-0, Fax 01-878-82-271

Baltia • Minolta Baltia, Didzioji 11, 2001 Vilnius/Lithuania
☎ 02-222-029, Fax 02-223-060

Belgium • Minolta Business Equipment (Belgium) N.V./S.A.,
Zoning Keiberg, Excelsiorlaan 10/12, 1930 Zaventem
☎ 02/720.96.70 ext. 341, Fax 02/720.97.57

Bulgaria • Minolta Bulgaria o.o.d., Ulica Christo Georgiev 4, 1504
Sofia ☎ 02-943-35-22, Fax 02-943-32-07

Croatia • Minolta Zagreb d.o.o., Supilova 7, 10 000 Zagreb
☎ 01-611-6655, Fax 01-611-6656

Czechia • Minolta spol, s.r.o., Veverí 102, 659 10 Brno
☎ 05-41 558 511, Fax 05-41 212 681

Denmark • Minolta Danmark a/s, Valhøjs Allé 160, 2610 Rødovre
☎ 36 37 04 50 eller 36 37 04 52, e-mail: printer@minolta.dk

Finland • Renu Oy, P.O. Box 93, 02201 Espoo
☎ 09-42061, Fax 09-4206 200

France • Minolta France Sa., Div. Equipement de Bureau, 365-367
Route de Saint Germain, 78424 Carrieres Sur Seine Cedex
☎ 1-3086-6274, Fax 1-3086-6287

Germany • Minolta Germany, Minoltaring 11, 30855 Langenhagen
☎ 0 18 03 - 22 74 04 (Ortstarif), Fax 0 18 03 - 23 74 04 (Ortstarif)

Hungary • Minolta Magyarország KFT, Galvani u. 4, 1117
Budapest ☎ 01-206-22-44, Fax 01-206-1849

Iceland • Magnús Kjaran H.F., Sidumúli 14, 108 Island
☎ 00354/5/10 55 00, Fax 00354/5/10 55 09

Italy • Minolta Italia, Via Stephenson 37, 20157 Milano
☎ 02-39011-1, Fax 02-39011-219

Netherland • Kopieersystemen Netherland B.V., Schipholweg
343, 1171 PL Badhoevedorp ☎ 020-6584222, Fax 020-6597436

Norway • Minolta Norway A.S, Nedre Rommen 3, 0988 Oslo,
☎ 22 78 98 00, Fax 22 78 98 50

Poland • Minolta Polska sp.zo.o., Ul. Nowolipie 7A, 00-146
Warszawa ☎ 022-83 11480

Portugal • Minolta Portugal Lda., Av. do Brasil 33a, 1700 Lisboa
☎ 01-79300-16, Fax 01- 7969547

Romania • Minolta Romania SRL, Soseaua Oltenitei 35-37, etaj 8,
Sector 4, 712 12 Bucuresti ☎ 01-330 2547, Fax 01-330 6980

Slovakia • Minolta Slovakia spol. s r.o.,Cernysevskeho 10, 851 01
Bratislava ☎ 07-586-2555, Fax 07-586-2313

Slovenia • Minolta Slovenia d.o.o., Ptujaska 19, 1000 Ljubljana
☎ 061-168-11-05, Fax 061-168-10- 28

Spain • Minolta Business Equipment Spain S.A., Paseo de la
Castellana 254, 28046 Madrid ☎ 91- 7337811, Fax 91-7332262

Sweden • Minolta Business Equipment Ab, Albygatan 114, 17109
Solna ☎ 08-627 75 00, Fax 08-627 76 07

Switzerland • Messerli Informationstechnik Océ (Schweiz) AG,
Sägereistrasse 29, 8152 Glattbrugg ☎ 01/829 14 14,
Fax 01/829 14 11

United Kingdom • Minolta U.K. BEO, Rooksley Park, Precedent
Drive /Rooksley, Milton Keynes MK 13 8Hf ☎ 0345-211-211,
Fax 01908-200-379

Yugoslavia • Minolta d.o.o. Beograd, Blagoja Parovica 21, 11 000
Beograd ☎ 011-550-997, Fax 011-544-982

MINOLTA GUARANTEE CERTIFICATE



1. DEFINITIONS

„MINOLTA“:	MINOLTA GmbH Registered Office
„the Unit“:	the MINOLTA product for which this Users’s Manual is valid
„the Software“:	MINOLTA unit driver Software. In the case that software supplied by other manufacturers is added to or purchased with the MINOLTA unit, only the terms of guarantee by those original manufacturers are valid
„the Unit Guarantee Period“:	One year commencing the date of purchase of the Unit
„the Software Guarantee Period“:	Ninety (90) days commencing the date of purchase of the Software
„the Operating Instructions“:	Those instructions contained in the manuals supplied with both the Unit and the Software
„Valid Receipt“:	a receipt indicating the date of purchase, the location of purchase, the purchase price, the MINOLTA dealers’s address, the Unit and/or Software type and serial number

2. SCOPE OF GUARANTEE

2.1. UNIT

Subject to Clause 2.3 this Guarantee covers all material and production faults in the Unit which are notified by the purchaser to MINOLTA within the Unit Guarantee Period

2.2. SOFTWARE

Subject to Clause 2.3 this Guarantee covers all faults with the Software which are notified by the purchaser to MINOLTA within the Software Guarantee Period

2.3. EXCLUSIONS

This Guarantee does not cover damage to Units and Software resulting from, but not limited, to the following:

- a) dropping, impact, sand, moisture, misuse, unauthorized interference of third parties, chemical corrosion, non-observance of the Operating Instructions, damage in transit or force majeure;
- b) the use of accessories, units or material not produced, distributed licenced or authorised by MINOLTA; and
- c) repairs or alterations carried out by any workshop not authorised by MINOLTA

This Guarantee does not cover damage to Software resulting from the purchaser’s failure to install the Software in accordance with the Installation Instructions on a computer suitable for the intended purpose

3. REPAIR AND REPLACEMENT

3.1. UNIT

During the Unit Guarantee Period MINOLTA will either repair or replace faulty Units falling within Clause 2.1. MINOLTA will inform the purchaser as to the choice of remedy within a reasonable time of inspecting the faulty Unit

3.2. SOFTWARE

During the Software Guarantee Period MINOLTA will replace faulty Software falling within Clause 2.2 within a reasonable time of inspecting the faulty Software

3.3 FAILURE

Should MINOLTA fail to repair or replace the faulty Unit or faulty Software within the time limit specified in Clauses 3.1 and 3.2 the purchaser shall be entitled to claim a refund of the purchase price once the purchaser returns the faulty Unit or Software to MINOLTA

4. VALIDITY OF GUARANTEE

This Guarantee is only valid for all new Units and new Software purchased from an authorised MINOLTA dealer

5. CLAIMS UNDER GUARANTEE

If a purchaser wishes to make a claim under this Guarantee he/she must present a Valid Receipt relating to the faulty Unit or faulty Software

MINOLTA reserves the right to verify the validity of the receipt

6. REIMBURSEMENT OF COSTS

If Units or Software presented to MINOLTA for repair or replacement show either no fault symptoms or fault symptoms resulting from any matter referred to in Clause 2.3 any costs incurred by MINOLTA are to be borne by the purchaser

7. CONSEQUENTIAL LOSS

MINOLTA shall not be liable for any consequential or indirect loss suffered by the purchaser whether this loss arises from breach of duty in contract or tort in any other way (including loss arising from MINOLTA's negligence). Non-exhaustive illustrations of consequential or indirect loss would be:

- a) loss of profit;
- b) loss of contracts;
- c) damage to property of the purchaser or anyone else;
- d) data loss; and
- e) personal injury to the purchaser or anyone else (but only so far as such injury is not caused by MINOLTA's negligence).

8. STATUTORY RIGHTS

This Guarantee does not affect the purchaser's statutory rights.

1. Takuun voimassaoloaika

MINOLTA GMBH (tästä tekstistä "MINOLTA") myöntää vuoden takuun laitteelle ja 90 päivän takuun MINOLTA-ohjelmistolle.

Molemmissa tapauksissa takuu on voimassa ostopäivästä lähtien.

2. Takuun laajuus

Tämä takuu ei kata luonnollisesta ulkoisesta ja mekaanisesta kulumisesta ja normaalista huollon tarpeesta johtuvia töitä.

Laitetakuu - Takuu kattaa kaikki laitteen materiaali- ja valmistusvirheitä johtuvat viat, jotka ilmenevät vuoden kuluessa ostopäivästä.

Ohjelmistotakuu - Laitetuen lisäksi MINOLTA myöntää 90 päivän takuun MINOLTA-ajuriohjelmistolle edellyttäen, että ohjelmisto on asianmukaisesti asennettu tähän tarkoitukseen soveltuvaan tietokoneeseen ja että mukana toimitettavia asennusohjeita on noudatettu huolellisesti. MINOLTA takaa edelleen, että ohjelmiston tallennusvälineessä ei ilmene materiaali- tai valmistusvirheitä normaalikäytössä.

MINOLTA-laitteen mukana hankittuja ohjelmistoja tai siihen liitettyjä muiden valmistajien ohjelmistoja koskevat vain kyseisten ohjelmistojen alkuperäiset takuehdot.

3. MINOLTAa koskevat velvoitteet

MINOLTA korjaa takuuajana ilmenevät viat tai vaihtaa laitteen uuteen mahdollisimman pian parhaaksi katsomallaan tavalla. Laitteen korvaaminen vastaavan arvoisella uudella laitteella tai sen korjaaminen ei vaikuta alkuperäiseen takuuajanaan. Takuuajana ei jatketa eikä sitä uusita. Jos MINOLTA ei pysty korjaamaan viallista tuotetta tai korvaamaan sitä uudella kohtuullisen ajan kuluessa, ostaja on oikeutettu saamaan ostohinnan takaisin, kun laite on palautettu myyjälle.

4. Takuun voimassaolo

Takuu koskee kaikkia valtuutetulta MINOLTA-myyjältä ostettuja uusia laitteita kaikissa maissa.

5. Takuun pohjalta esitettävät vaatimukset

Tämän takuun pohjalta esitettävät vaatimukset edellyttävät sitä, että esitetään kuitti, josta käy ilmi ostopäivä, -paikka ja -hinta, myyjän osoite, laitetyyppi ja laitteen sarjanumero. MINOLTA varaa oikeuden kuitenkin oikeellisuuden toteamiseen.

6. Takuiden voimassaoloehdot

Tämä takuu ei koske laitteille ja ohjelmistoille koituvia vahinkoja, jotka aiheutuvat

- pudottamisesta, iskusta, pölystä, kosteudesta, väärinkäytöstä, kolmannen osapuolen tekemien toimien aiheuttamista vahingoista, kemiallisesta syöpymisestä, käyttöohjeiden noudattamatta jättämisestä, kuljetuksessa aiheutuneista vahingoista tai Force Majeure -esteistä
- muiden yritysten kuin MINOLTAn valmistamien, välittämien tai lisensoimien lisävarusteiden käytöstä tai muun kuin MINOLTAn valtuuttaman tahon tekemistä korjaustoimista
- muiden kuin tähän tarkoitukseen soveltuvien laitteiden ja kolmannen osapuolen laitteiden tai materiaalien käytöstä sekä tähän tarkoitukseen sopimattomien tai muiden kuin suositeltujen tulostusmateriaalien käytöstä.

Ostaja vastaa kaikista tarkistuksista ja korjaustoimista aiheutuvista kuluista, jos jokin edellä mainituista ehdoista on voimassa.

Takuu ei kata MINOLTA:lle tai valtuutettuun MINOLTA-huoltopisteeseen tuotuja korjattavia laitteita, jos niissä ei ole korjattavia vikoja. Tällöin vian tarkistamisesta aiheutuvat kustannukset kuuluvat ostajalle.

Takuuajan päättymisen jälkeen esitettyjä takuuvaatimuksia ei käsitellä.

7. Taloudelliset menetykset

MINOLTA ei vastaa ostajalle koituvista suorista tai välillisistä taloudellisista menetyksistä riippumatta siitä, aiheutuvatko menetykset takuusopimuksen ehdoissa mainittujen velvollisuuksien tai yleensä sopimuksen rikkomisesta (mukaan lukien menetykset, jotka aiheutuvat laiminlyönnistä MINOLTA:n taholta). Seuraavassa on esimerkkejä suorista tai välillisistä taloudellisista menetyksistä:

- a. liikevoiton menetykset
- b. sopimusten menetykset
- c. ostajan tai muun osapuolen omaisuudelle aiheutuvat vahingot
- d. tietojen menetykset

8. Lain määräämät oikeudet

Tämä takuu ei vaikuta niihin oikeuksiin, jotka ostajalle on laissa määrätty.



- Often you can find the quickest solution to a problem or malfunction in the User Kit. Please refer to the chapter *Troubleshooting*.
- From our internet website (<http://www.service.minolta.de>) you can get the latest printer driver updates and answers to various questions.
- Minolta's hotline (see pages 10 and 11 in chapter *General Information*) supports you with the solution to many problems.
- Your technical representative will help you as well.

Please note the date of purchase (📅), the telephone hot-line (☎) and the serial number (#) on the sticker. In order to benefit from a quick and efficient support, you should always keep the sticker at hand, e.g. at the printerframe.